



Deltran Battery Tender® Selectable
NORTH AMERICAN MODELS ONLY
*Designed for six-cell lead-acid batteries
 and three-cell lead-acid batteries*

Deltran Battery Tender® Selectable
For FOREIGN COMPLIANCE
*Designed for six-cell lead-acid batteries from 1.2 – 200Ah
 and three-cell lead-acid batteries from 1.2 – 200Ah*

IMPORTANT SAFETY INSTRUCTIONS

- 1) SAVE THESE INSTRUCTIONS – This manual contains important safety and operating instructions for battery charger model P/N 022-0211.
- 2) Do not expose charger to rain or snow.
- 3) Use of an attachment not recommended or sold by the battery charger manufacturer may result in a risk of fire, electric shock, or injury to persons.
- 4) To reduce risk of damage to electric plug and cord, pull by plug rather than cord when disconnecting charger.
- 5) An extension cord should not be used unless absolutely necessary. Use of improper extension cord could result in a risk of fire and electric shock. If an extension cord must be used, make sure:
 - a) That pins on plug of extension cord are the same number, size, and shape as those of plug on charger;
 - b) That extension cord is properly wired and in good electrical condition; and
 - c) That wire size is large enough for ac ampere rating of charger as specified in Table 1

TABLE 1

Length of Cord, Feet/Meters	25/7.6	50/15.2	100/30.5	150/45.7
AWG Size of Cord	18	18	18	16

- 6) Do not operate charger with damaged cord or plug – replace the cord or plug immediately.
- 7) Do not operate charger if it has received a sharp blow, been dropped, or otherwise damaged in any way; take it to a qualified serviceman.
- 8) Do not disassemble charger; take it to a qualified serviceman when service or repair is required. Incorrect reassembly may result in a risk of electric shock or fire.
- 9) To reduce risk of electric shock, unplug charger from outlet before attempting any maintenance or cleaning. Turning off controls will not reduce this risk.
- 10) When replacing the fuse in the accessory cable use an AB19, 7.5Amp or equivalent type fuse.
- 11) **WARNING – RISK OF EXPLOSIVE GASES.**
 - a) WORKING IN VICINITY OF A LEAD-ACID BATTERY IS DANGEROUS. BATTERIES GENERATE EXPLOSIVE GASES DURING NORMAL BATTERY OPERATION. FOR THIS REASON, IT IS OF UTMOST IMPORTANCE THAT YOU FOLLOW THE INSTRUCTIONS EACH TIME YOU USE THE CHARGER.
 - b) To reduce risk of battery explosion, follow these instructions and those published by battery manufacturer and manufacturer of any equipment you intend to use in vicinity of battery. Review cautionary marking on these products and on engine.
- 12) **PERSONAL PRECAUTIONS**
 - a) Consider having someone close enough by to come to your aid when you work near a lead-acid battery.

- b) Have plenty of fresh water and soap nearby in case battery acid contacts skin, clothing, or eyes.
 - c) Wear complete eye protection and clothing protection. Avoid touching eyes while working near battery. P/N 392-0332-RB
 - d) If battery acid contacts skin or clothing, wash immediately with running cold water. If battery acid enters eye, immediately flood eye with running cold water minutes and get medical attention immediately.
 - e) NEVER smoke or allow a spark or flame in vicinity of battery or engine.
 - f) Be extra cautious to reduce risk of dropping a metal tool onto battery. It might spark or short-circuit battery or other electrical part that may cause explosion.
 - g) Remove personal metal items such as rings, bracelets, necklaces, and watches when working with a lead-acid battery. A lead-acid battery can produce a short-circuit current high enough to weld a ring or the like to metal, causing a severe burn.
 - h) Use charger for charging a LEAD-ACID battery only. It is not intended to supply power to a low voltage electrical system other than in a starter-motor application. Do not use battery charger for charging non-rechargeable batteries that are commonly used with home appliances. These batteries may burst and cause injury to persons and damage to property.
 - i) NEVER charge a frozen battery.
- 13) PREPARING TO CHARGE**
- a) If necessary to remove battery from vehicle to charge, always remove grounded terminal from battery first. Make sure all accessories in the vehicle are off, so as not to cause an arc.
 - b) Be sure area around battery is well ventilated while battery is being charged.
 - c) Clean battery terminals. Be careful to keep corrosion from coming in contact with eyes.
 - d) Add distilled water in each cell until battery acid reaches level specified by battery manufacturer. Do not overfill. For a battery without removable cell caps, such as valve regulated lead acid batteries, carefully follow manufacturer's recharging instructions.
 - e) Study all battery manufacturers specific precautions such as removing or not removing cell caps while charging and recommended rates of charge.
 - f) Determine voltage of battery by referring to car owner's manual and make sure that output voltage selector switch is set at correct voltage. Do not use the battery charger unless battery voltage matches the output voltage rating of the charger.
- 14) CHARGER LOCATION**
- a) Locate charger as far away from battery as dc cables permit.
 - b) Never place charger directly above battery being charged; gases from battery will corrode and damage charger.
 - c) Never allow battery acid to drip on charger when reading electrolyte specific gravity or filling battery.
 - d) Do not operate charger in a closed-in area or restrict ventilation in any way.
 - e) Do not set a battery on top of charger.
- 15) DC CONNECTION PRECAUTIONS**
- a) Connect and disconnect dc output clips only after setting any charger switches to "off" position and removing ac cord from electric outlet. Never allow clips to touch each other.
 - b) Attach clips to battery and chassis as indicated in 15(e), 15(f), and 16(b) through 16(d).
- 16) FOLLOW THESE STEPS WHEN BATTERY IS INSTALLED IN VEHICLE. A SPARK NEAR BATTERY MAY CAUSE BATTERY EXPLOSION. TO REDUCE RISK OF A SPARK NEAR BATTERY:**
- a) Position ac and dc cords to reduce risk of damage by hood, door, or moving engine part.
 - b) Stay clear of fan blades, belts, pulleys, and other parts that can cause injury to persons.
 - c) Check polarity of battery posts. POSITIVE (POS, P, +) battery post usually has larger diameter than NEGATIVE (NEG, N, -) post.

USER INSTRUCTIONS

- d) Determine which post of battery is grounded (connected) to the chassis. If negative post is grounded to chassis (as in most vehicles), see (e). If positive post is grounded to the chassis, see (f).
- e) For negative-grounded vehicle, connect POSITIVE (RED) clip from battery charger to POSITIVE (POS, P, +) ungrounded post of battery first. Then connect NEGATIVE (BLACK) clip to vehicle chassis or engine block away from battery. Do not connect clip to carburetor, fuel lines, or sheet-metal body parts. Connect to a heavy gage metal part of the frame or engine block.
- f) For positive-grounded vehicle, connect NEGATIVE (BLACK) clip from battery charger to NEGATIVE (NEG, N, -) ungrounded post of battery first. Then connect POSITIVE (RED) clip to vehicle chassis or engine block away from battery. Do not connect clip to carburetor, fuel lines, or sheet-metal body parts. Connect to a heavy gage metal part of the frame or engine block.
- g) Connect charger AC cord to electrical outlet.
- h) When disconnecting charger, turn switches to off, disconnect AC cord, remove clip from vehicle chassis, and then remove clip from battery terminal.
- i) See operating instructions for length of charge information.

17) FOLLOW THESE STEPS WHEN BATTERY IS OUTSIDE VEHICLE. A SPARK NEAR THE BATTERY MAY CAUSE BATTERY EXPLOSION. TO REDUCE RISK OF A SPARK NEAR BATTERY:

- a) Check polarity of battery posts. POSITIVE (POS, P, +) battery post usually has a larger diameter than NEGATIVE (NEG, N, -) post.
- b) Attach at least a 60cm (24-inch) long 6-gauge (AWG) insulated battery cable to NEGATIVE (NEG, N, -) battery post.
- c) Connect POSITIVE (RED) charger clip to POSITIVE (POS, P, +) post of battery.
- d) Position yourself and free end of cable as far away from battery as possible – then connect NEGATIVE (BLACK) charger clip to free end of cable.
- e) Do not face battery when making final connection.
- f) Connect charger AC cord to electrical outlet.
- g) When disconnecting charger, always do so in reverse sequence of connecting procedure and break first connection while as far away from battery as practical.
- h) A marine (boat) battery must be removed and charged on shore. To charge it on board requires equipment specially designed for marine use.

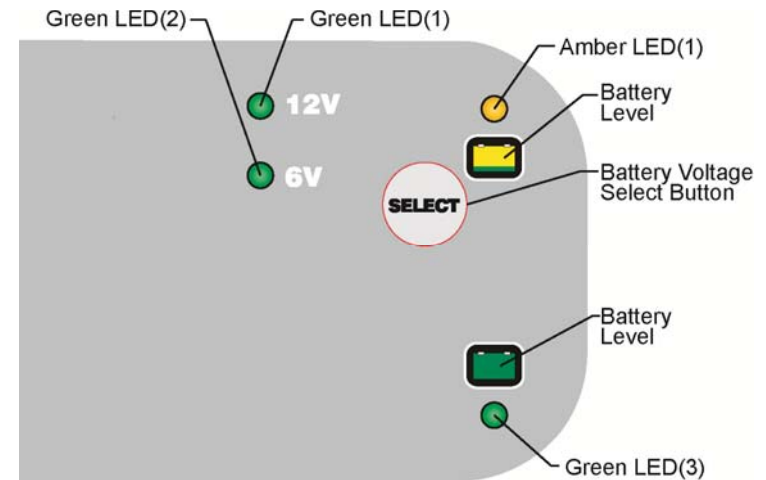
- *This appliance can be used by children aged from 8 years and above and persons with reduced physical, sensory or mental capabilities or lack of experience and knowledge if they have been given supervision or instruction concerning use of the appliance in a safe way and understand the hazard involved.*

- Children shall not play with the appliance. Cleaning and user maintenance shall not be done by children without supervision.
- The supply cord cannot be replaced. If the cord is damaged the appliance should be scrapped.
- Examine the battery charger regularly for damage, especially the cord, plug and enclosure; if the battery charger is damaged, it must not be used until it has been repaired.



This symbol indicates separate collection for electrical and electronic equipment

AUTOMATIC CHARGING AND BATTERY STATUS MONITORING: Battery Tender® chargers are completely automatic and may be left connected to both AC power and to the battery that it is charging for long periods of time. The charger output power, voltage, and current depends on the condition of the battery it is charging. Battery Tender® chargers have several status LED indicators that provide a visual means to determine the operating mode of the charger and hence the condition of the battery connected to the charger.



When AC power is first applied to the charger all of the LEDs will illuminate for two to three seconds before starting the charge sequence listed below.

The two battery level status LED indicator lights (Amber LED 1, Green LED 3) are available to determine whether the charger is operating in one of the four primary charge modes:

- 1) **Qualification/Initialization mode:** The Monitor Circuit verifies appropriate battery voltage levels and good electrical continuity between the battery and the charger DC output.
- 2) **Bulk mode** (full charge, constant current, battery is 0% to 80% charged)
- 3) **Absorption mode** (high constant voltage, battery is 80% to 100% charged).
- 4) **Storage/float maintenance mode** (low constant voltage, battery is 100% to 103% charged).

When the battery is fully charged, the battery level status Green LED(3) indicator will turn solid green and the charger will switch to a storage/float maintenance charge mode. The Battery Tender® charger will automatically monitor and maintain the battery at full charge.

BATTERY VOLTAGE SELECT BUTTON

The Battery Tender® charger has a “SELECT” button which allows you to switch between charging a 6-volt battery or a 12-volt battery.

The battery voltage can be selected once the charger has AC power applied and before the charger is connected to the battery.

Once the charger has AC power and is also connected to the battery the voltage (12V or 6V) selection cannot be changed. To change the mode, disconnect the battery from the charger.

If the AC power is interrupted the charger will resume charging at the last battery voltage setting used.

The charger can also detect if the incorrect battery voltage has been selected once the connection has been made to the battery. One of the Green LEDs (LED 1 or 2) located next the 12V or 6V symbol will flash preventing the charge cycle from starting. In order to begin a new charge cycle, reset the charger by disconnecting it from the AC supply as well as the wrong or defective battery for 7-10 seconds. Reconnect the AC supply and the charger will be ready for a new charge cycle.

ATTENTION: The Battery Tender® CHARGER HAS A SPARK FREE CIRCUITRY. The output alligator clips or ring terminals will not spark when they are touched together. The Battery Tender® charger will not produce an output voltage until it senses at least 3 volts from the battery. It must be connected to a battery with the correct polarity before it will start charging a battery. Therefore, if you plug the AC power cord into an AC power outlet, and if the output alligator clips or ring terminals are not connected to a battery, and if you touch the alligator clips or ring terminals together, there will be no electrical spark.

NOTE:

THE OUTPUT CLIPS OR RING TERMINALS MUST BE CONNECTED TO A BATTERY BEFORE THE CHARGER CAN PRODUCE AN OUTPUT VOLTAGE.

TIME REQUIRED TO CHARGE A BATTERY:

The Battery Tender® charges at a rate of 1.25 Amps or 1¼ Amp-hours per hour. Therefore, a fully discharged 15 Amp-Hour battery will take approximately 9½ hours to recharge to 80% capacity.

WORKING WITH A DEAD BATTERY OR A BATTERY WITH A VERY LOW VOLTAGE:

If you try to charge a dead battery having a voltage below 3 volts, the Battery Tender® charger will not start. An internal safety circuit prevents the charger from generating any output voltage unless it senses at least 3 volts at the charger output. In this situation, the amber LED will continue to flash, indicating that a charge has not been initiated.

NOTE:

If a 12-volt, lead-Acid battery has an output voltage of less than 9 volts when it is at rest, when it is neither being charged nor supplying electrical current to an external load, there is a good chance that the battery is defective. As a frame of reference, a fully charged 12-volt, lead-Acid battery will have a rest-state, no-load voltage of approximately 12.9 volts. A fully discharged 12-volt, lead-acid battery will have a rest-state, no-load voltage of approximately 11.4 volts. That means that a voltage change of only 1.5 volts represents the full range of charge 0% to 100% on a 12-Volt, lead-acid battery. Depending on the manufacturer, and the age of the battery, the specific voltages will vary by a few tenths of a volt, but the 1.5-volt range will still be a good indicator of the battery charge %.

STATUS INDICATING LIGHT: If the light is not lit, then the battery is not properly connected and/or the charger is not plugged into AC power. The following describes light operation:

- < **AMBER LIGHT FLASHING** (Amber LED 1) – The amber LED flashing indicates that the battery charger has AC power available and that the microprocessor is functioning properly. If the amber LED continues to flash, then either the battery voltage is too low (less than 3 volts) or the output alligator clips or ring terminals are not connected correctly.
- < **AMBER LIGHT ON STEADY** (Amber LED 1) – Whenever the amber LED is on steady, a battery is connected properly and the charger is charging the battery. The amber LED will remain on until the charger completes the charging stage.
- < **GREEN LIGHT FLASHING** (Green LED 3) – When the green LED is flashing and the amber LED (Amber LED 1) is solid the battery is greater than 80% charged and may be removed from the charger and used if necessary. Whenever possible, leave the battery on charge until the green light is solid.
- < **GREEN LIGHT ON STEADY** (Green LED 3) – When the green LED burns steady, the charge is complete and the battery can be returned to service if necessary. It can also stay connected to maintain the battery for an indefinite period of time

TROUBLESHOOTING

- 1) If the charger does not turn on and none of the LEDs illuminate.
 - a. Check to make sure the AC outlet is supplying power by plugging in a lamp, an appliance, or a voltage meter.
- 2) The green LED (3) comes on immediately when charging a discharged battery.
 - a. The battery is probably defective, take the battery to the dealer to be tested.
- 3) When charging a battery the green LED never comes on.
 - a. The battery may be defective, take the battery to the dealer to be tested.
 - b. The battery has an excessive current draw, remove or disconnect the battery from the equipment.
- 4) The amber LED continues to flash even with a connection to the battery:
 - a. Check the fuse in the accessory cable.
- 5) 12V green LED is flashing.
 - a. The battery is damaged or the incorrect battery voltage has been selected.
- 6) 6V green LED is flashing.
 - a. The battery is damaged or the incorrect battery voltage has been selected.
- 7) Amber and Green LED are toggling.
 - a. Reverse polarity connection to the battery.
 - b. The charger's safety timer has activated due to the battery not reaching its optimal voltage. The battery may be defective, take the battery to the dealer to be tested.

FCC Warning

Title 47 Subpart, 15.105(b)

Note: This equipment has been tested and found to comply with the limits for a class B digital device, pursuant to part 15 of the FCC Rules. These limits are designed to provide reasonable protection against harmful interference in residential installation. This equipment generates, uses and can radiate radio frequency energy and, if not installed and used in accordance with the instructions, may cause harmful interference to radio television reception, which can be determined by tuning the equipment off and on, the user is encouraged to try to correct the interference by one or more of the following measures:

- Reorient or relocate the receiving antenna.
- Increase the separation between the equipment and receiver.
- Connect the equipment into an outlet on a circuit different from that to which the receiver is connected.
- Consult the dealer or an experienced radio/TV technician for help.



Deltran Battery Tender® Selectable

Développé pour des batteries acide-plomb à six cellules de 1,2 - 200Ah, trois-cellules de 1,2 - 200Ah.

INSTRUCTIONS IMPORTANTES CONCERNANT LA SÉCURITÉ

CONSERVER CES INSTRUCTIONS. CE MANUEL CONTIENT DES INSTRUCTIONS IMPORTANTES CONCERNANT LA SÉCURITÉ ET LE FONCTIONNEMENT.

- 1) IL EST DANGEREUX DE TRAVAILLER A PROXIMITÉ D'UNE BATTERIE AU PLOMB. LES BATTERIES PRODUISENT DES GAZ EXPLOSIFS EN SERVICE NORMAL. IL EST AUSSI IMPORTANT DE TOUJOURS RELIRE LES INSTRUCTIONS AVANT D'UTILISER LE CHARGEUR ET DE LES SUIVRE À LA LETTRE.
- 2) POUR RÉDUIRE LE RISQUE D'EXPLOSION, LIRE CES INSTRUCTIONS ET CELLES QUI FIGURENT SUR LA BATTERIE.
- 3) NE JAMAIS FUMER PRÈS DE LA BATTERIE OU DU MOTEUR ET ÉVITER TOUTE ÉTINCELLE OU FLAMME NUE À PROXIMITÉ DE CES DERNIERS.
- 4) UTILISER LE CHARGEUR POUR CHARGER UNE BATTERIE AU PLOMB UNIQUEMENT. CE CHARGEUR N'EST PAS CONÇU POUR ALIMENTER UN RÉSEAU ÉLECTRIQUE TRÈS BASSE TENSION NI POUR CHARGER DES PILES SÈCHES. LE FAIT D'UTILISER LE CHARGEUR POUR CHARGER DES PILES SÈCHES POURRAIT ENTRAÎNER L'ÉCLATEMENT DES PILES ET CAUSER DES BLESSURES OU DES DOMMAGES;
- 5) NE JAMAIS CHARGER UNE BATTERIE GELÉE.
- 6) S'IL EST NÉCESSAIRE DE RETIRER LA BATTERIE DU VÉHICULE POUR LA CHARGER, TOUJOURS DÉBRANCHER LA BORNE DE MISE À LA MASSE EN PREMIER. S'ASSURER QUE LE COURANT AUX ACCESSOIRES DU VÉHICULE EST COUPÉ AFIN D'ÉVITER LA FORMATION D'UN ARC.
- 7) PRENDRE CONNAISSANCE DES MESURES DE PRÉCAUTION SPÉCIFIÉES PAR LE FABRICANT DE LA BATTERIE, P. EX., VÉRIFIER S'IL FAUT ENLEVER LES BOUCHONS DES CELLULES LORS DU CHARGEMENT DE LA BATTERIE, ET LES TAUX DE CHARGEMENT RECOMMANDÉS.
- 8) SI LE CHARGEUR COMPORTE UN SÉLECTEUR DE TENSION DE SORTIE, CONSULTER LE MANUEL DE L'USAGER DE LA VOITURE POUR DÉTERMINER LA TENSION DE LA BATTERIE ET POUR S'ASSURER QUE LA TENSION DE SORTIE EST APPROPRIÉE. SI LE CHARGEUR N'EST PAS MUNI D'UN SÉLECTEUR, NE PAS UTILISER LE CHARGEUR À MOINS QUE LA TENSION DE LA BATTERIE NE SOIT IDENTIQUE À LA TENSION DE SORTIE NOMINALE DU CHARGEUR.
- 9) NE JAMAIS PLACER LE CHARGEUR DIRECTEMENT SOUS LA BATTERIE À CHARGER OU AU-DESSUS DE CETTE DERNIÈRE. LES GAZ OU LES FLUIDES QUI S'ÉCHAPPENT DE LA BATTERIE PEUVENT ENTRAÎNER LA CORROSION DU CHARGEUR OU L'ENDOMMAGER. PLACER LE CHARGEUR AUSSI LOIN DE LA BATTERIE QUE LES CABLES C.C. LE PERMETTENT.
- 10) NE PAS FAIRE FONCTIONNER LE CHARGEUR DANS UN ESPACE CLOS ET/OU NE PAS GÊNER LA VENTILATION. METTRE LES INTERRUPTEURS DU CHARGEUR HORS CIRCUIT ET RETIRER LE CORDON C.A. DE LA

PRISE AVANT DE METTRE ET D'ENLEVER LES PINCES DU CORDON C.C. S'ASSURER QUE LES PINCES NE SE TOUCHENT PAS.

- 11) SUIVRE LES ÉTAPES SUIVANTES LORSQUE LA BATTERIE SE TROUVE DANS LE VÉHICULE. UNE ÉTINCELLE PRÈS DE LA BATTERIE POURRAIT PROVOQUER L'EXPLOSION DE CETTE DERNIÈRE. POUR RÉDUIRE LE RISQUE D'ÉTINCELLE À PROXIMITÉ DE LA BATTERIE :
- PLACER LES CORDONS C.A. ET C.C. DE MANIÈRE À ÉVITER QU'ILS SOIENT ENDOMMAGÉS PAR LE CAPOT, UNE PORTIÈRE OU LES PIÈCES EN MOUVEMENT DU MOTEUR ;
 - FAIRE ATTENTION AUX PALES, AUX COURROIES ET AUX POULIES DU VENTILATEUR AINSI QU'À TOUTE AUTRE PIÈCE SUSCEPTIBLE DE CAUSER DES BLESSURES ;
 - VÉRIFIER LA POLARITÉ DES BORNES DE LA BATTERIE. LE DIAMÈTRE DE LA BORNE POSITIVE (POS, P, +) EST GÉNÉRALEMENT SUPÉRIEUR À CELUI DE LA BORNE NÉGATIVE (NÉG, N, -) ;
 - DÉTERMINER QUELLE BORNE EST MISE À LA MASSE (RACCORDÉE AU CHÂSSIS). SI LA BORNE NÉGATIVE EST RACCORDÉE AU CHÂSSIS (COMME DANS LA PLUPART DES CAS), VOIR LE POINT (v). SI LA BORNE POSITIVE EST RACCORDÉE AU CHÂSSIS, VOIR LE POINT (vi) ;
 - SI LA BORNE NÉGATIVE EST MISE À LA MASSE, RACCORDER LA PINCE POSITIVE (ROUGE) DU CHARGEUR À LA BORNE POSITIVE (POS, P, +) NON MISE À LA MASSE DE LA BATTERIE. RACCORDER LA PINCE NÉGATIVE (NOIRE) AU CHÂSSIS DU VÉHICULE OU AU MOTEUR, LOIN DE LA BATTERIE. NE PAS RACCORDER LA PINCE AU CARBURATEUR, AUX CANALISATIONS D'ESSENCE NI AUX PIÈCES DE LA CARROSSERIE EN TÔLE. RACCORDER À UNE PIÈCE DU CADRE OU DU MOTEUR EN TÔLE DE FORTE ÉPAISSEUR ;
 - SI LA BORNE POSITIVE EST MISE À LA MASSE, RACCORDER LA PINCE NÉGATIVE (NOIRE) DU CHARGEUR À LA BORNE NÉGATIVE (NÉG, N, -) NON MISE À LA MASSE DE LA BATTERIE. RACCORDER LA PINCE POSITIVE (ROUGE) AU CHÂSSIS DU VÉHICULE OU AU MOTEUR, LOIN DE LA BATTERIE. NE PAS RACCORDER LA PINCE AU CARBURATEUR, AUX CANALISATIONS D'ESSENCE NI AUX PIÈCES DE LA CARROSSERIE EN TÔLE. RACCORDER À UNE PIÈCE DU CADRE OU DU MOTEUR EN TÔLE DE FORTE ÉPAISSEUR ;
 - BRANCHER LE CORDON D'ALIMENTATION C.A. DU CHARGEUR ;
 - POUR INTERROMPRE L'ALIMENTATION DU CHARGEUR, METTRE LES INTERRUPTEURS HORS CIRCUIT, RETIRER LE CORDON C.A. DE LA PRISE, ENLEVER LA PINCE RACCORDÉE AU CHÂSSIS ET EN DERNIER LIEU CELLE RACCORDÉE À LA BATTERIE.
- 12) SUIVRE LES ÉTAPES SUIVANTES LORSQUE LA BATTERIE EST À L'EXTÉRIEUR DU VÉHICULE. UNE ÉTINCELLE PRÈS DE LA BATTERIE POURRAIT PROVOQUER L'EXPLOSION DE CETTE DERNIÈRE. POUR RÉDUIRE LE RISQUE D'ÉTINCELLE À PROXIMITÉ DE LA BATTERIE :
- VÉRIFIER LA POLARITÉ DES BORNES DE LA BATTERIE. LE DIAMÈTRE DE LA BORNE POSITIVE (POS, P, +) EST GÉNÉRALEMENT SUPÉRIEUR À CELUI DE LA BORNE NÉGATIVE (NÉG, N, -) ;
 - RACCORDER UN CÂBLE DE BATTERIE ISOLÉ No 6 AWG MESURANT AU MOINS 60 CM DE LONGUEUR À LA BORNE NÉGATIVE (NÉG, N, -) ;

- RACCORDER LA PINCE POSITIVE (ROUGE) À LA BORNE POSITIVE (POS, P, +) DE LA BATTERIE ;
- SE PLACER ET TENIR L'EXTRÉMITÉ LIBRE DU CÂBLE AUSSI LOIN QUE POSSIBLE DE LA BATTERIE, PUIS RACCORDER LA PINCE NÉGATIVE (NOIRE) DU CHARGEUR À L'EXTRÉMITÉ LIBRE DU CÂBLE ;
- NE PAS SE PLACER FACE À LA BATTERIE POUR EFFECTUER LE DERNIER RACCORDEMENT ;
- RACCORDER LE CORDON D'ALIMENTATION C.A. DU CHARGEUR À LA PRISE ;
- POUR INTERROMPRE L'ALIMENTATION DU CHARGEUR, METTRE LES INTERRUPTEURS HORS CIRCUIT, RETIRER LE CORDON C.A. DE LA PRISE, ENLEVER LA PINCE RACCORDÉE AU CHÂSSIS ET EN DERNIER LIEU CELLE RACCORDÉE À LA BATTERIE. SE PLACER AUSSI LOIN QUE POSSIBLE DE LA BATTERIE POUR DÉFAIRE LA PREMIÈRE CONNEXION.

- 13) L'UTILISATION D'UN ADAPTEUR EST INTERDITE AU CANADA. SI UNE PRISE DE COURANT AVEC MISE À LA TERRE N'EST PAS DISPONIBLE EN FAIRE INSTALLER UNE PAR UN ÉLECTRICIEN QUALIFIÉ AVANT D'UTILISER CET APPAREIL.

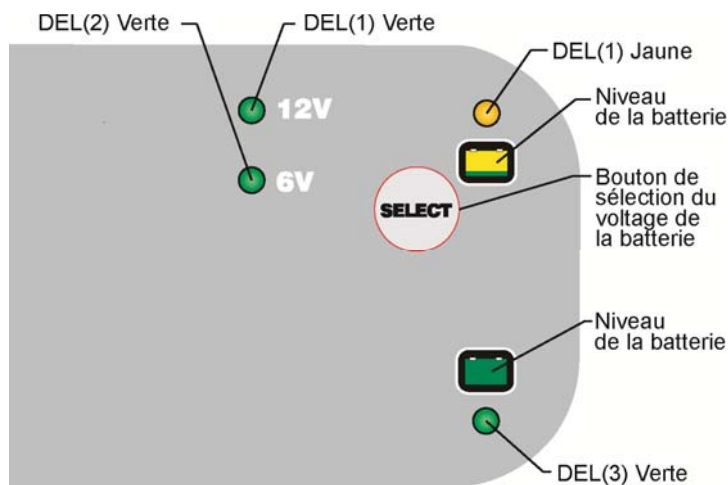
- Cet appareil peut être utilisé par les enfants de 8 ans et au-dessus et par des personnes à capacités physiques, sensorielles ou intellectuelles réduites ou qui manquent d'expérience et de connaissances, si elles ont reçu des instructions quant à l'utilisation de l'appareil d'une façon sûre et si elles comprennent les dangers impliqués.*
- Les enfants ne doivent pas jouer avec l'appareil. Le nettoyage et l'entretien ne doivent pas être faits par des enfants sans surveillance.
- Le cordon d'alimentation ne peut pas être remplacé. Si le cordon est endommagé l'appareil doit être mis au rebut.
- Examinez le chargeur de batterie régulièrement pour les dommages éventuels, en particulier le cordon, la fiche et le boîtier, si le chargeur de la batterie est endommagé, il ne doit pas être utilisé jusqu'à ce qu'il soit réparé.



Ce symbole indique une collecte séparée pour les équipements électriques et électroniques

MANUEL DE L'UTILISATEUR

CHARGEMENT AUTOMATIQUE ET SURVEILLANCE DE L'ÉTAT DE LA BATTERIE : Les chargeurs Battery Tender® sont entièrement automatiques et peuvent être laissés connectés à la fois au courant alternatif et à la batterie qui est en charge pendant de longues périodes de temps. La puissance de sortie, la tension et le courant dépendent de l'état de la batterie qui est en charge. Les chargeurs Battery Tender® ont plusieurs indicateurs DEL d'état, qui fournissent un moyen visuel afin de déterminer le mode de fonctionnement du chargeur et donc l'état de la batterie connectée au chargeur.



Quand le courant alternatif est appliqué au chargeur la première fois, toutes les DEL s'allument pendant deux ou trois secondes avant de démarrer la séquence de charge énumérée ci-dessous.

Les deux indicateurs DEL d'état de niveau de batterie (DEL Jaune 1, DEL Verte 3) sont disponibles pour déterminer si le chargeur fonctionne dans l'un des quatre modes de charge primaires :

- 1) **Mode de qualification/initialisation :** Le circuit de surveillance vérifie les niveaux de tension appropriés de batterie et la bonne continuité électrique entre la batterie et la sortie CC du chargeur.
- 2) **Mode en vrac** (pleine charge, courant constant, la batterie est chargée de 0 % à 80 %)
- 3) **Mode absorption** (tension constante élevée, la batterie est chargée de 80 % à 100 %).
- 4) **Mode maintenance stockage/flottant** (tension constante basse, la batterie est chargée de 100 % à 103 %).

Quand la batterie est entièrement chargée, la DEL Verte (3) d'état de niveau de la batterie s'allume en vert de manière constante et le chargeur passe en mode de charge de maintenance stockage/flottant. Le chargeur Battery Tender® va surveiller et maintenir automatiquement la batterie à pleine charge.

BOUTON DE SÉLECTION DE TENSION BATTERIE

Le chargeur Battery Tender® a un bouton « SÉLECT » qui permet de basculer entre la charge d'une batterie de 6 V et d'une batterie de 12 V.

La tension de la batterie peut être sélectionnée une fois que le chargeur reçoit le courant alternatif et avant que le chargeur soit branché sur la batterie.

Une fois que le chargeur reçoit le courant alternatif et est également connecté à la batterie, la sélection de tension (12 V ou 6 V) ne peut pas être modifiée. Pour changer le mode, déconnectez la batterie du chargeur.

Si l'alimentation électrique est interrompue, le chargeur va reprendre le chargement avec le dernier réglage de tension utilisé.

Le chargeur peut également détecter si une tension incorrecte a été sélectionnée, une fois la connexion établie. Une des DEL Verte (DEL 1 ou 2) située à côté du symbole 12 V ou 6 V clignote en empêchant ainsi le cycle de charge de démarrer. Afin de commencer un nouveau cycle de charge, réinitialisez le chargeur en le débranchant de l'alimentation CA ainsi que de la batterie mauvaise ou défectueuse pendant 7 à 10 secondes. Rebranchez l'alimentation AC et le chargeur sera prêt pour un nouveau cycle de charge.

ATTENTION : LE CHARGEUR Battery Tender® A UN CIRCUIT SANS ÉTINCELLE. Les pinces crocodiles de sortie ou les cosses ne produiront pas d'étincelles quand elles se touchent. Le chargeur Battery Tender® ne produira pas une tension de sortie jusqu'à ce qu'il détecte au moins 3 V de la batterie. Il doit être raccordé à une batterie en respectant la bonne polarité avant qu'il commence à charger une batterie. Ainsi, si vous branchez le cordon d'alimentation sur une prise électrique CA, et si les pinces crocodiles de sortie ou les cosses ne sont pas connectées à une batterie, et si vous faites se toucher les pinces crocodiles ou cosses, il y n'aura aucune étincelle électrique.

REMARQUE :

LES PINCES DE SORTIE OU LES COSSES DOIVENT ÊTRE RACCORDÉES À UNE BATTERIE AVANT QUE LE CHARGEUR PUISSE PRODUIRE UNE TENSION DE SORTIE.

TEMPS REQUIS POUR CHARGER UNE BATTERIE :

Le chargeur Battery Tender® charge à raison de 1¼ ampères-heures ou 1.25 Ah. Ainsi, une batterie entièrement déchargée de 15 Ah prendra environ 9½ heures pour se recharger à 80 % de sa capacité.

TRAVAILLER AVEC UNE BATTERIE À PLAT OU UNE BATTERIE AVEC UNE TRÈS BASSE TENSION :

Si vous essayez de charger une batterie à plat ayant une tension inférieure à 3 Volts, le chargeur Battery Tender® ne démarrera pas. Un circuit interne de sécurité empêche le chargeur de générer n'importe quelle tension de sortie à moins qu'il détecte au moins 3 V à la sortie du chargeur. Dans cette situation, la DEL jaune va continuer à clignoter, indiquant qu'aucune charge n'a été initiée.

REMARQUE :

Si une batterie d'accumulateurs au plomb de 12 V a une tension de sortie de moins de 9 V lorsqu'elle est au repos, quand elle n'est pas en charge ni ne fournit du courant électrique à une charge extérieure, il y a de bonnes chances pour que la batterie soit défectueuse. Comme cadre de référence, une batterie à accumulateur au plomb de 12 V complètement chargée aura un état de repos, tension sans charge d'environ 12,9 V. Une batterie d'accumulateurs au plomb de 12 V complètement déchargée aura un état de repos, tension sans charge d'environ 11,4 V. Cela signifie qu'un changement de tension de seulement 1,5 V représente l'ensemble de la charge de 0 % à 100 % sur une batterie d'accumulateur au plomb de 12 V. Selon le fabricant et l'âge de la batterie, les tensions spécifiques peuvent varier de quelques dixièmes de volt, mais la gamme de 1,5 V sera toujours un bon indicateur du % de charge de la batterie.

TÉMOIN LUMINEUX D'ÉTAT : Si le voyant ne s'allume pas, alors la batterie n'est pas correctement connectée et/ou le chargeur n'est pas relié au secteur. Ce qui suit décrit le fonctionnement des témoins lumineux :

- < **CLIGNOTEMENT TÉMOIN JAUNE** (DEL Jaune 1) – Le clignotement de la DEL jaune indique que le chargeur de batterie dispose de courant alternatif et que le microprocesseur fonctionne correctement. Si la DEL jaune continue de clignoter, alors soit la tension de la batterie est trop faible (moins de 3 V) soit les pinces crocodile ou les cosses ne sont pas connectées correctement.
- < **TÉMOIN JAUNE ALLUMÉ CONSTANT** (DEL Jaune 1) – Quand la DEL jaune est allumée en permanence, une batterie est correctement connectée et le chargeur est en train de charger la batterie. La DEL jaune restera allumée jusqu'à ce que le chargeur termine la phase de chargement.
- < **CLIGNOTEMENT TÉMOIN VERT** (DEL Verte 3) – Lorsque la DEL verte clignote et que la DEL jaune (DEL Jaune 1) est allumée de manière constante, la batterie est chargée à plus de 80 % et peut être enlevée du chargeur et utilisée si nécessaire. Quand cela est possible, laissez la batterie en charge jusqu'à ce que le témoin vert soit allumé de manière constante.
- < **TÉMOIN VERT CONSTANT** (DEL Verte 3) – Quand le témoin vert est allumé de manière constante, la charge est terminée et la batterie peut être remise en service si nécessaire. Elle peut également rester connectée pour maintenir la batterie pour une durée indéterminée

DÉPANNAGE

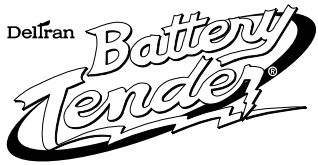
- 1) Si le chargeur ne s'allume pas et qu'aucune DEL ne s'allume.
 - a. Vérifiez que la prise secteur transmet le courant en branchant une lampe, un appareil ou un voltmètre.
- 2) La DEL verte (3) s'allume immédiatement lors de la charge d'une batterie déchargée.
 - a. La batterie est probablement défectueuse, amenez-la au concessionnaire pour la faire tester.
- 3) Lors de la charge d'une batterie, la DEL Verte ne s'allume jamais.
 - a. La batterie peut être défectueuse, amenez-la au concessionnaire pour la faire tester.
 - b. La batterie a un appel de courant excessif, retirez ou débranchez la batterie de l'équipement.
- 4) La DEL jaune continue de clignoter même avec une connexion à la batterie :
 - a. Vérifiez le fusible dans le câble accessoire.
- 5) La DEL verte 12 V clignote.
 - a. La batterie est endommagée ou la tension de la batterie qui a été sélectionnée n'est pas correcte.
- 6) La DEL verte 6 V clignote.
 - a. La batterie est endommagée ou la tension de la batterie qui a été sélectionnée n'est pas correcte.
- 7) Les DEL Jaune et Verte basculent.
 - a. Inversez la polarité de la connexion à la batterie.
 - b. La minuterie de sécurité des chargeurs s'est activée du fait que la batterie n'atteint pas sa tension optimale. La batterie peut être défectueuse, amenez-la au concessionnaire pour la faire tester.

Avertissement de la FCC

Titre 47 Sous-partie, 15.105(b)

Remarque : Cet équipement a été testé et déclaré conforme aux limites d'un appareil numérique de classe B, selon la partie 15 des règles FCC. Ces limites sont conçues pour fournir une protection raisonnable contre les interférences nuisibles dans une installation résidentielle. Cet équipement génère, utilise et peut émettre de l'énergie radio fréquence et, s'il n'est pas installé et utilisé conformément aux instructions, peut provoquer des interférences nuisibles à la réception de la radio ou de la télévision, ce qui peut être déterminé par l'arrêt et la marche de l'appareil, l'utilisateur est encouragé à essayer de corriger les interférences avec une ou plusieurs des mesures suivantes :

- Réorientez/déplacez l'antenne de réception.
 - Augmentez la distance entre l'équipement et le récepteur.
 - Connectez l'équipement à une sortie sur un circuit différent de celui sur lequel le récepteur est branché.
- Consultez le revendeur ou un technicien radio/télévision pour obtenir de l'aide.



Deltran Battery Tender® Selectable
 Konzipiert für sechs Zell-Blei-Säure-Batterien
 von 1,2 - 200 Ah oder
 Drei Zell-Blei-Säure-Batterien von 1,2 - 200 Ah

WICHTIGE SICHERHEITSANWEISUNGEN

- 1) BEWAHREN SIE DIESE ANWEISUNGEN AUF – Dieses Handbuch enthält wichtige Sicherheits- und Bedienungsanweisungen für das Batterieladegerät-Modell P/N 022-0211.
- 2) Das Ladegerät darf weder Regen noch Schnee ausgesetzt werden.
- 3) Die Verwendung eines Zusatzgerätes, das vom Ladegeräthersteller weder empfohlen noch verkauft wird, kann Brandgefahr bedeuten oder zu Stromschlägen oder Verletzungen führen.
- 4) Ziehen Sie stets am Stecker, wenn Sie das Ladegerät von der Stromversorgung trennen wollen, um Beschädigungen von Netzkabel und Stecker zu vermeiden.
- 5) Verwenden Sie nur ein Verlängerungskabel, wenn es unbedingt erforderlich ist. Die Verwendung eines nicht geeigneten Verlängerungskabels kann zu Brand- und Stromschlaggefahr bedeuten. Falls ein Verlängerungskabel erforderlich ist, achten Sie darauf:
 - a) Dass die Stifte am Stecker des Verlängerungskabels die gleiche Anzahl, Größe und Form aufweisen wie die Stifte am Ladegerät;
 - b) Dass das Verlängerungskabel ordnungsgemäß verdrahtet ist und sich in einem guten elektrischen Zustand befindet; und
 - c) Dass die Drahtgröße für den Wechselstrom-Ampere-Wert des Ladegerätes ausreicht, wie in Tabelle 1 festgelegt.

TABELLE 1

Kabellänge, Fuß	25	50	100	150
AWG-Kabelgröße	18	18	18	16

- 6) Bei beschädigtem Kabel bzw. Stecker darf das Ladegerät nicht betrieben werden - ersetzen Sie in einem solchen Fall sofort das Kabel bzw. den Stecker.
- 7) Falls das Ladegerät einen schweren Stoß erlitten hat, fallen gelassen oder auf andere Weise beschädigt wurde, darf es nicht verwendet werden. Bringen Sie es zu einem qualifizierten Reparaturbetrieb.
- 8) Nehmen Sie das Ladegerät nicht auseinander, sondern bringen Sie es zu einem qualifizierten Reparaturdienst, wenn eine Wartung oder Reparatur erforderlich ist. Wird das Gerät nicht ordnungsgemäß wieder zusammengebaut, kann dies zu Stromschlägen oder Brandgefahr führen.
- 9) Zur Reduzierung der Stromschlaggefahr muss das Ladegerät vor jeder Wartung oder Reinigung vom Stromnetz getrennt werden. Einfaches Ausschalten der Schalter reicht nicht aus.
- 10) **WARNUNG – EXPLOSIONSFÄHIGE GASE.**
 - a) DAS ARBEITEN IN DER UMGEBUNG VON BLEI-SÄURE-BATTERIEN IST GEFÄHRLICH. WÄHREND DES NORMALEN BATTERIEBETRIEBS WERDEN EXPLOSIONSFÄHIGE GASE ERZEUGT. AUS DIESEM GRUND MÜSSEN SIE BEI JEDER VERWENDUNG DES LADEGERÄTS DIE ANWEISUNGEN UNBEDINGT BEFOLGEN.
 - b) Zur Verringerung der Explosionsgefahr von Batterien befolgen Sie diese Vorgaben und alle Anweisungen des Batterieherstellers sowie die Herstelleranweisungen aller Geräte, die Sie im Umfeld der Batterie verwenden möchten. Achten Sie auf die Vorsichtshinweise auf diesen Produkten und am Motor.

11) PERSÖNLICHE VORSICHTSMASSNAHMEN

- a) Achten Sie bei Arbeiten in der Nähe einer Blei-Säure-Batterie darauf, dass sich eine andere Person in Ihrer Nähe befindet, die Ihnen gegebenenfalls zur Hilfe kommen kann.
- b) Sie sollten ausreichend frisches Wasser und Seife in Reichweite haben, falls die Batteriesäure in Kontakt mit Ihrer Haut, Kleidung oder in Ihre Augen kommt;
- c) Tragen Sie vollständigen Schutz für Ihre Augen und Kleidung. Bei Arbeiten in der Nähe der Batterie sollten Sie nach Möglichkeit Ihre Augen nicht berühren.
- d) Falls Batteriesäure an Ihre Haut oder Ihre Kleidung gelangt, ist diese umgehend mit Wasser und Seife abzuwaschen. Sollte Säure in Ihre Augen gelangen, das betroffene Auge sofort mindestens 10 Minuten lang unter kaltem, fließendem Wasser abspülen und umgehend einen Arzt aufsuchen;
- e) In der Nähe der Batterie oder des Motors dürfen Sie NIEMALS rauchen oder eine Flamme oder einen Funken zünden.
- f) Arbeiten Sie besonders vorsichtig, um zu verhindern, dass ein Metallwerkzeug auf die Batterie fällt. Dies könnte zu Funkenbildung führen oder die Batterie bzw. ein anderes elektrisches Teil kurzschließen, was eine Explosion zur Folge haben könnte.
- g) Legen Sie persönliche Gegenstände wie Ringe, Armbänder, Halsketten und Uhren ab, wenn Sie an einer Blei-Säure-Batterie arbeiten. Eine Blei-Säure-Batterie kann einen Kurzschlussstrom erzeugen, der stark genug ist, einen Ring oder ähnliches an Metall zu schweißen und auf diese Weise schwere Verbrennungen zu verursachen.
- h) Verwenden Sie das Ladegerät ausschließlich zum Aufladen von BLEI-SÄURE-Batterien. Das Gerät ist ausschließlich zur Stromversorgung eines elektrischen Niederspannungssystems zum Anlassen eines Motors vorgesehen. Verwenden Sie das Ladegerät nicht zum Aufladen von Trockenbatterien, die im Allgemeinen in Haushaltsgeräten verwendet werden. Diese Batterien könnten bersten und zu Verletzungen bzw. Beschädigungen führen.
- i) Laden Sie NIEMALS eine gefrorene Batterie.

12) LADEVORBEREITUNGEN

- a) Falls es erforderlich ist, die Batterie zum Aufladen aus dem Fahrzeug zu entfernen, müssen Sie zuerst den Erdungsanschluss von der Batterie entfernen. Achten Sie darauf, dass jegliches Zubehör im Fahrzeug ausgeschaltet ist, damit kein Lichtbogen entsteht.
- b) Achten Sie während des Ladevorgangs auf eine ausreichende Luftzufuhr rund um die Batterie.
- c) Säubern Sie die Batterieklemmen. Achten Sie darauf, dass eventuell vorhandene Korrosionsrückstände nicht in Ihre Augen gelangen.
- d) Geben Sie destilliertes Wasser in jede Zelle hinein, bis die Batteriesäure den vom Batteriehersteller vorgegebenen Pegel erreicht hat. Füllen Sie nicht zu viel hinein. Bei Batterien ohne abnehmbare Zellendeckel, wie z. B. ventilgeregelter Blei-Säure-Batterien, müssen Sie die Aufladeanweisungen des Herstellers sorgfältig befolgen.
- e) Lesen Sie sich alle besonderen Vorsichtsmaßnahmen des Batterieherstellers sorgfältig durch, wie etwa Entfernen oder Nicht-Entfernen der Zellendeckel sowie die empfohlene Ladegeschwindigkeit.
- f) Stellen Sie die Batteriespannung mithilfe des Fahrzeughandbuchs fest und achten Sie darauf, dass der Wählschalter der Ausgabespannung auf die korrekte Spannung eingestellt ist. Verwenden Sie das Ladegerät nur, wenn die Batteriespannung mit der Ausgangsspannung des Ladegerätes übereinstimmt.

13) AUFSTELLUNGORT DES LADEGERÄTS

- a) Stellen Sie das Ladegerät so weit von der Batterie entfernt auf, wie es die Gleichstromkabel zulassen.
- b) Stellen Sie das Ladegerät niemals direkt über die aufzuladende Batterie, da die Gase von der Batterie das Ladegerät korrodieren und beschädigen.
- c) Beim Messen der relativen Elektrolytdichte oder Auffüllen der Batterie darf keine Batteriesäure auf das Ladegerät tropfen.
- d) Verwenden Sie das Ladegerät niemals in einer abgeschlossenen Umgebung oder bei eingeschränkter Luftzufuhr.
- e) Stellen Sie die Batterie niemals auf das Ladegerät.

14) VORSICHTSMASSNAHMEN ZUM GLEICHSTROMANSCHLUSS

- Anschluss und Trennung der Gleichstrom-Ausgabeklemmen dürfen nur erfolgen, wenn sich alle Ladegerätschalter in der Stellung „Aus (off)“ befinden und das Wechselstromkabel von der Stromversorgung getrennt ist. Die Klemmen dürfen sich niemals berühren.
- Befestigen Sie die Klemmen an Batterie und Fahrgestell wie in 15 (e), 15 (f) sowie 16 (b) bis 16 (d) angegeben.

15) BEFOLGEN SIE DIESE SCHRITTE, WENN DIE BATTERIE SICH IM FAHRZEUG BEFINDET. EIN FUNKEN IN DER NÄHE DER BATTERIE KANN ZUR EXPLOSION DER BATTERIE FÜHREN. SO VERHINDERN SIE MÖGLICHE FUNKENBILDUNG IN DER NÄHE DER BATTERIE:

- Platzieren Sie die Wechselstrom- und Gleichstromkabel so, dass sie möglichst nicht durch die Motorhaube, Türen oder bewegliche Teile des Motors beschädigt werden können.
- Halten Sie sich von Lüfterflügeln, Riemen, Riemenscheiben und anderen Teilen fern, die Personen Schaden zufügen können.
- Prüfen Sie die Polarität der Batteriepole. POSITIVE (POS, P, +) Batteriepole weisen im Allgemeinen einen größeren Durchmesser auf als NEGATIVE (NEG, N, -) Pole.
- Stellen Sie fest, welcher Batteriepol am Fahrgestell geerdet (verbunden) ist. Ist der negative Pol am Fahrgestell geerdet (wie bei den meisten Fahrzeugen), siehe (e). Ist der positive Pol am Fahrgestell geerdet, siehe (f).
- Bei negativ geerdeten Fahrzeugen verbinden Sie die POSITIVE Klemme (ROT) des Ladegerätes mit dem POSITIVEN (POS, P, +), nicht geerdeten Batteriepol. Verbinden Sie die NEGATIVE Klemme (SCHWARZ) mit dem von der Batterie entfernt liegenden Fahrgestell oder Motorblock. Verbinden Sie die Klemme nicht mit Vergaser, Kraftstoffleitungen oder Karosserie-Blechteilen. Verbinden Sie die Klemme mit einem dickwandigen Metallteil des Rahmens oder des Motorblocks.
- Bei positiv geerdeten Fahrzeugen verbinden Sie die NEGATIVE Klemme (SCHWARZ) des Ladegerätes mit dem NEGATIVEN (NEG, N, -), nicht geerdeten Batteriepol. Verbinden Sie die POSITIVE Klemme (ROT) mit dem von der Batterie entfernt liegenden Fahrgestell oder Motorblock. Verbinden Sie die Klemme nicht mit Vergaser, Kraftstoffleitungen oder Karosserie-Blechteilen. Verbinden Sie die Klemme mit einem dickwandigen Metallteil des Rahmens oder des Motorblocks.
- Zum Abtrennen des Ladegerätes schalten Sie alle Schalter aus, trennen das Wechselstromkabel, entfernen dann die Klemme am Fahrgestell und anschließend die Klemme von der Batterie.
- Die Aufladedauer entnehmen Sie bitte der Betriebsanleitung.

16) BEFOLGEN SIE DIESE SCHRITTE, WENN DIE BATTERIE SICH AUSSERHALB DES FAHRZEUGS BEFINDET. EIN FUNKEN IN DER NÄHE DER BATTERIE KANN ZUR EXPLOSION DER BATTERIE FÜHREN. SO VERHINDERN SIE MÖGLICHE FUNKENBILDUNG IN DER NÄHE DER BATTERIE:

- Prüfen Sie die Polarität der Batteriepole. POSITIVE (POS, P, +) Batteriepole weisen im Allgemeinen einen größeren Durchmesser auf als NEGATIVE (NEG, N, -) Pole.
- Befestigen Sie ein mindestens 60 cm langes isoliertes Kabel (4,11 mm Durchmesser, AWG 6) am NEGATIVEN (NEG, N, -) Batteriepol.
- Verbinden Sie die POSITIVE Klemme (ROT) des Ladegerätes mit dem POSITIVEN (POS, P, +) Batteriepol.
- Stellen Sie sich mit dem freien Kabelende so weit entfernt wie möglich von der Batterie auf – verbinden Sie dann die NEGATIVE Ladeklemme (SCHWARZ) mit dem freien Kabelende.
- Beim Anlegen der letzten Verbindung sollten Sie nicht in Richtung Batterie stehen.
- Das Abtrennen des Ladegerätes erfolgt stets in umgekehrter Reihenfolge des Anschlussvorgangs; beim Trennen der ersten Verbindung sollten Sie so weit wie möglich von der Batterie entfernt stehen.
- Eine seefeste (Boots-) Batterie muss entnommen und an Land geladen werden. Zum Laden an Bord ist eine Ausrüstung erforderlich, die speziell für die Verwendung auf See konzipiert wurde.

- Dieses Gerät kann von Kindern ab einem Alter von 8 Jahren und Personen mit eingeschränkten körperlichen, sensorischen oder mentalen Fähigkeiten oder einem Mangel an Erfahrung und Wissen verwendet werden, sofern sie beaufsichtigt werden oder in der sicheren Verwendung des Gerätes unterwiesen wurden und die damit verbundenen Gefahren kennen und verstehen.*

- Dieses Gerät ist kein Kinderspielzeug. Kinder dürfen das Gerät nicht unbeaufsichtigt reinigen oder warten.

- Das Netzkabel kann nicht ausgetauscht werden. Falls das Kabel beschädigt ist, muss das Gerät entsorgt werden.

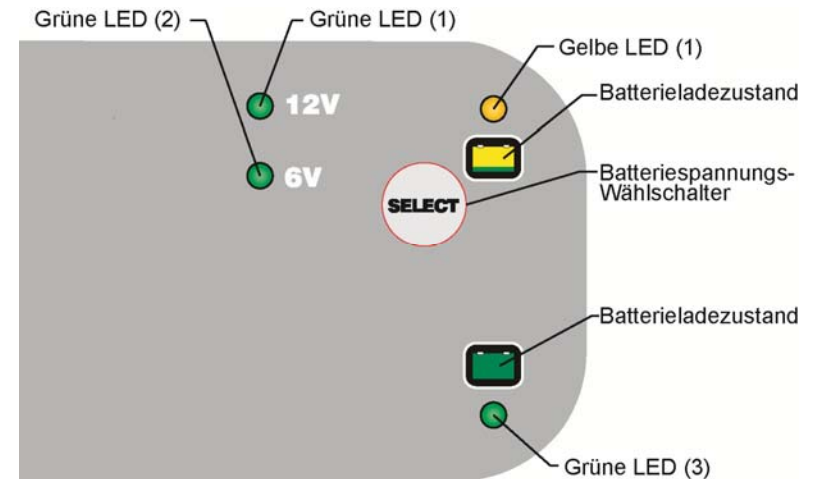
- Untersuchen Sie das Ladegerät regelmäßig auf Beschädigungen, insbesondere das Kabel, den Stecker und die Ummantelung. Bei Beschädigung darf das Gerät erst nach erfolgter Reparatur erneut verwendet werden.



Dieses Symbol weist auf die gesonderte Entsorgung von Elektro- und Elektronikgeräten hin.

BEDIENUNGSANLEITUNG

AUTOMATISCHES AUFLADEN UND BATTERIEZUSTANDSÜBERWACHUNG: Battery Tender®-Ladegeräte arbeiten vollständig automatisch und können über längere Zeit an der Stromzufuhr und der aufzuladenden Batterie angeschlossen bleiben. Ausgangsleistung, Spannung und Stromstärke des Ladegeräts hängen vom Zustand der aufzuladenden Batterie ab. Battery Tender®-Ladegeräte verfügen über mehrere LED-Statusanzeigen, die den Betriebsmodus des Ladegeräts anzeigen und entsprechend den Zustand der am Ladegerät angeschlossenen Batterie.



Wird das Ladegerät das erste Mal mit Wechselstrom versorgt, leuchten alle LEDs für zwei bis drei Sekunden auf, bevor die unten aufgeführte Ladesequenz gestartet wird.

Die beiden Batterieladestatus-LED-Anzeigen (GELBE LED 1, GRÜNE LED 3) werden verwendet, um festzustellen, ob das Ladegerät in einem der vier primären Lademodi arbeitet:

- 1) **Qualifikations-/Initialisierungsmodus:** Der Überwachungskreislauf überprüft die entsprechenden Batteriespannungswerte und eine gute elektrische Leitfähigkeit zwischen Batterie und der Gleichstromausgabe des Ladegeräts.
- 2) **Grundladungs-Modus** (vollständiges Aufladen, Dauerstrom, Batterie ist zu 0 % bis 80 % aufgeladen)
- 3) **Absorbierungsmodus** (hohe Dauerspannung, Batterie ist zu 80 % bis 100 % aufgeladen).
- 4) **Speicher-/Erhaltungsmodus** (geringe Dauerspannung, Batterie ist zu 100 % bis 103 % aufgeladen).

Wenn die Batterie vollständig aufgeladen ist, leuchtet die GRÜNE LED(3) Batterieladestatus-Anzeige auf und das Ladegerät wechselt in den Speicher-/Erhaltungs-Auflademodus. Eine vollständig aufgeladene Batterie wird automatisch vom Battery Tender®-Ladegerät überwacht; die Ladung bleibt automatisch erhalten.

BATTERIESPANNUNGS-WÄHLSCHALTER

Das Battery Tender®-Ladegerät verfügt über einen "WAHL"-Schalter, mit dem Sie zwischen dem Laden einer 6 Volt-Batterie oder einer 12 Volt-Batterie auswählen können.

Wählen Sie die Batteriespannung aus, nachdem das Ladegerät an die Stromversorgung angeschlossen wurde, jedoch bevor Sie es mit der Batterie verbinden.

Sobald das Ladegerät an die Stromversorgung angeschlossen wurde und auch mit der Batterie verbunden ist, kann die Spannung (12 V oder 6 V) nicht mehr geändert werden. Zum Ändern der Spannung müssen Sie die Batterie noch einmal vom Ladegerät trennen.

Bei einer Unterbrechung der Stromversorgung nimmt das Ladegerät den Ladevorgang mit der zuletzt gewählten Batteriespannung wieder auf.

Nachdem die Verbindung mit der Batterie hergestellt wurde, kann das Ladegerät außerdem erkennen, ob eine falsche Batteriespannung ausgewählt wurde. In diesem Fall blinkt eine der GRÜNEN LEDs (LED 1 oder 2) neben dem 12 V- oder 6 V-Symbol auf und verhindert den Beginn des Aufladevorgangs. Um einen neuen Aufladevorgang zu beginnen, müssen Sie das Ladegerät zurücksetzen, indem Sie es für 7-10 Sekunden von der Stromversorgung und von der falschen bzw. defekten Batterie abtrennen. Nachdem Sie die Stromversorgung erneut angeschlossen haben, ist das Ladegerät bereit für den nächsten Ladevorgang.

ACHTUNG: Das Battery Tender®-LADEGERÄT IST MIT EINEM FUNKENFREIEN SCHALTKEIS AUSGESTATTET. Die Ausgangs-Krokodilklemmen oder Ringkabelschuhe erzeugen keine Funken, wenn sie miteinander in Kontakt kommen. Das Battery Tender®-Ladegerät erzeugt keine Ausgangsspannung, wenn es nicht mindestens 3 Volt von der Batterie erfasst. Es muss mit der korrekten Polarität an die Batterie angeschlossen sein, bevor es mit dem Ladevorgang beginnt. Wenn Sie also das Netzkabel an einer Steckdose anschließen und die Ausgangskrokodilklemmen bzw. Ringkabelschuhe nicht an eine Batterie angeschlossen sind und Sie anschließend die Krokodilklemmen oder Kabelschuhe zusammenführen, entsteht kein elektrischer Zündfunke.

HINWEIS:

DIE AUSGABEKLEMMEN ODER RINGKABELSCHUHE MÜSSEN AN DER BATTERIE ANGESCHLOSSEN SEIN, BEVOR DAS LADEGERÄT EINE AUSGABESPANNUNG ERZEUGEN KANN.

ZUM LADEN EINER BATTERIE ERFORDERLICHER ZEITRAUM:

Der Battery Tender® lädt mit einer Geschwindigkeit von 1.25A oder 1¼ Amperestunden je Stunde. Dementsprechend benötigt eine vollständig entladene 15 Amperestunden-Batterie bis zum Aufladen auf 80 % ihrer Kapazität etwa 9½ Stunden.

UMGANG MIT VOLLSTÄNDIG ENTLEERTEN BATTERIEN ODER BATTERIEN MIT SEHR GERINGER SPANNUNG

Wenn Sie versuchen, eine vollständig entleerte Batterie mit einer Spannung von weniger als 3 Volt aufzuladen, wird das Battery Tender®-Ladegerät den Ladevorgang nicht beginnen. Ein interner Sicherheitsschaltkreis verhindert, dass das Ladegerät eine Ausgabespannung erzeugt, wenn an der Ladegerätausgabe weniger als 3 Volt erfasst wird. In diesem Fall wird die gelbe LED weiterhin blinken, um anzuzeigen, dass der Ladevorgang nicht initiiert wurde.

HINWEIS:

Besitzt eine 12 Volt-Blei-Säure-Batterie eine Ruhespannung von unter 9 Volt, wenn sie weder aufgeladen wird, noch eine externe Last mit Strom versorgt, ist sie wahrscheinlich defekt. Zu Referenzzwecken: Eine vollständig aufgeladene 12 Volt-Bleisäurebatterie besitzt eine lastfreie Ruhespannung von ca. 12,9 Volt. Eine vollständig entladene 12 Volt-Bleisäurebatterie besitzt eine lastfreie Ruhespannung von ca. 11,4 Volt. Das bedeutet, dass bei einer 12 Volt-Bleisäurebatterie eine Spannungsänderung von nur 1,5 Volt die gesamte Reichweite vom vollständig entladenen (0 %) bis zum vollständig aufgeladenen (100 %) Zustand abdeckt. Je nach Hersteller und Alter der Batterie kann die spezifische Spannung um einige Zehntel Volt schwanken, aber dieser Bereich von 1,5 Volt ist immer ein gutes Anzeichen des Batterieladezustands.

STATUSANZEIGE: Wenn die Anzeige nicht aufleuchtet, ist die Batterie nicht korrekt angeschlossen, und/oder das Ladegerät ist nicht an der Netzversorgung angeschlossen. Nachfolgend werden die Anzeigenzustände beschrieben:

- < **GELBE ANZEIGE BLINKT** (GELBE LED 1) – Eine blinkende gelbe Anzeige weist darauf hin, dass das Ladegerät mit Wechselstrom versorgt wird und der Mikroprozessor ordnungsgemäß funktioniert.. Wenn die gelbe Anzeige weiterhin blinkt, ist entweder die Batteriespannung zu gering (weniger als 3 Volt) oder die Ausgabe-Krokodilklemmen bzw. die Ringkabelschuhe sind nicht korrekt befestigt.
- < **GELBE ANZEIGE LEUCHTET DAUERHAFT** (GELBE LED 1) – Leuchtet die gelbe Anzeige ununterbrochen, ist die Batterie ordnungsgemäß angeschlossen und wird durch das Ladegerät aufgeladen. Die gelbe Anzeige leuchtet so lange auf, bis das Ladegerät die Ladephase abgeschlossen hat.
- < **GRÜNE ANZEIGE BLINKT** (GRÜNE LED 3) – Blinkt die grüne LED und leuchtet die gelbe LED (GELBE LED 1) dauerhaft, ist die Batterie zu mehr als 80 % geladen und kann gegebenenfalls vom Ladegerät getrennt und verwendet werden. So weit möglich, sollte die Batterie am Ladegerät angeschlossen bleiben, bis die grüne Anzeige dauerhaft leuchtet.
- < **GRÜNE ANZEIGE LEUCHTET DAUERHAFT** (GRÜNE LED 3) – Bei dauerhaft grün leuchtender Anzeige ist der Ladevorgang abgeschlossen und die Batterie kann gegebenenfalls wieder eingesetzt werden. Sie kann jedoch auch für eine unbestimmte Zeit am Ladegerät verbleiben.

FEHLERBEHEBUNG

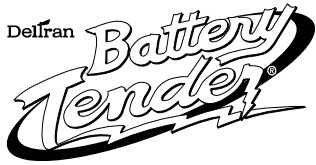
- 1) Das Ladegerät geht nicht an und keine der LED-Anzeigen leuchtet auf.
 - a. Vergewissern Sie sich, dass die Netzsteckdose Strom führt, indem Sie eine Lampe, ein anderes Gerät oder einen Spannungsmesser anschließen.
- 2) Die grüne LED (3) leuchtet bei Aufladen einer entladenen Batterie sofort auf.
 - a. Die Batterie ist möglicherweise beschädigt. Bringen Sie die Batterie zur Überprüfung zu einem Fachhändler.
- 3) Beim Laden einer Batterie leuchtet die grüne LED gar nicht auf.
 - a. Die Batterie ist möglicherweise beschädigt. Bringen Sie die Batterie zur Überprüfung zu einem Fachhändler.
 - b. Die Batterie hat eine übermäßige Stromaufnahme. Trennen Sie die Batterie vom Gerät.
- 4) Die gelbe LED blinkt auch nach Anschluss der Batterie weiterhin:
 - a. Überprüfen Sie die Sicherung in dem Zubehörkabel.
- 5) Die grüne 12 V-LED blinkt.
 - a. Die Batterie ist beschädigt oder es wurde die falsche Batteriespannung ausgewählt.
- 6) Die grüne 6 V-LED blinkt.
 - a. Die Batterie ist beschädigt oder es wurde die falsche Batteriespannung ausgewählt.
- 7) Die GELBE und GRÜNE LED leuchten abwechselnd auf.
 - a. Kehren Sie die Polarität der Verbindung zur Batterie um.
 - b. Der Sicherheitszeitgeber des Ladegeräts hat sich aktiviert, weil die Batterie nicht ihre optimale Spannung erreicht. Die Batterie ist möglicherweise beschädigt. Bringen Sie die Batterie zur Überprüfung zu einem Fachhändler.

FCC-Warnung

Titel 47 Subpart, 15.105(b)

Hinweis: Dieses Gerät wurde überprüft und entspricht den Grenzwerten eines digitalen Geräts der Klasse B, gemäß Teil 15 der FCC-Vorschriften. Diese Grenzwerte wurden konzipiert, um angemessenen Schutz vor gefährlichen Interferenzen in Wohnanlagen zu bieten. Dieses Gerät erzeugt und verwendet Hochfrequenzenergie und kann diese ausstrahlen und, sofern es nicht gemäß den Anweisungen installiert und verwendet wird, gefährliche Interferenzen beim Radio- und Fernsehempfang verursachen. Diese lassen sich durch Ein- und Ausschalten des Geräts feststellen. Es wird empfohlen, dass der Benutzer versucht, die Interferenzen durch eine oder mehrere der folgenden Maßnahmen zu beseitigen:

- Richten Sie die Empfangsantenne neu aus oder stellen Sie sie um.
- Erhöhen Sie die Entfernung zwischen Gerät und Empfänger.
- Verbinden Sie das Gerät mit einer anderen Stromquelle oder Stromkreis als den Empfänger.
Lassen Sie sich vom Händler oder einem erfahrenen Funk-/Fernsehtechniker beraten und gegebenenfalls helfen.



Deltran Battery Tender® Commutabile
Studiato per batterie al piombo-acido a sei celle da 1,2 a 200 Ah e
batterie al piombo-acido a tre celle da 1,2 a 200 Ah

IMPORTANTI ISTRUZIONI DI SICUREZZA

- 1) CONSERVARE QUESTE ISTRUZIONI – Il presente manuale contiene importanti istruzioni per l'uso e la sicurezza del modello di caricabatterie P/N 022-0211.
- 2) Non esporre il caricabatterie a pioggia o neve.
- 3) L'utilizzo di adattatori diversi da quelli raccomandati o forniti dal produttore del caricabatterie può comportare il rischio di incendio, scossa elettrica o lesioni a persone.
- 4) Quando si scollega il caricabatterie dalla rete elettrica, afferrarlo in corrispondenza dello spinotto anziché del cavo, per ridurre il rischio di danneggiamento dei due componenti.
- 5) Evitare di utilizzare prolunghe se non sono strettamente necessarie. L'uso di prolunghe non appropriate potrebbe comportare il rischio di incendio o scossa elettrica. Se si rende necessario l'utilizzo di una prolunga, verificare che:
 - a) I pin sullo spinotto della prolunga siano uguali per numero, dimensioni e forma a quelli dello spinotto del caricabatterie.
 - b) La prolunga sia collegata correttamente e sia in buone condizioni.
 - c) Il cavo sia di dimensioni sufficienti per l'ampereaggio CA del caricabatterie specificato nella Tabella 1.

TABELLA 1

Lunghezza del cavo (in piedi)	25	50	100	150
Dimensione del cavo (AWG)	18	18	18	16

- 6) Non utilizzare il caricabatterie in caso di danneggiamento del cavo o dello spinotto. Se necessario, sostituire immediatamente il cavo o lo spinotto.
- 7) Non utilizzare il caricabatterie se ha subito un urto violento o danni di altro tipo o se è caduto accidentalmente. Contattare un tecnico qualificato.
- 8) Non smontare il caricabatterie autonomamente, ma rivolgersi a un tecnico qualificato per gli interventi di manutenzione e riparazione. Il riassetto non corretto può comportare il rischio di scossa elettrica o incendio.
- 9) Per ridurre il rischio di scossa elettrica, scollegare il caricabatterie dalla presa di corrente prima di eseguire qualsiasi intervento di manutenzione o pulizia. La disattivazione dei comandi non riduce tale rischio.
- 10) **AVVERTENZA – RISCHIO DOVUTO A GAS ESPLOSIVI.**
 - a) LAVORARE IN PROSSIMITÀ DI BATTERIE AL PIOMBO-ACIDO È PERICOLOSO. LE BATTERIE GENERANO GAS ESPLOSIVI DURANTE IL LORO NORMALE FUNZIONAMENTO. PER QUESTO MOTIVO, È ESTREMAMENTE IMPORTANTE ATTENERSI ALLE ISTRUZIONI OGNI VOLTA CHE SI UTILIZZA IL CARICABATTERIE.
 - b) Per ridurre il rischio di esplosione della batteria, seguire le presenti istruzioni e quelle pubblicate dai produttori della batteria e di tutte le apparecchiature che si intendono utilizzare nelle sue vicinanze. Controllare le avvertenze sulla sicurezza collocate sulle suddette apparecchiature o sui rispettivi motori.
- 11) **PRECAUZIONI PERSONALI**
 - a) Quando si lavora in prossimità di una batteria al piombo-acido chiedere a un secondo operatore di rimanere nelle vicinanze per poter eventualmente intervenire.
 - b) Tenere a disposizione abbondante acqua e sapone in caso di contatto dell'acido della batteria con pelle, occhi o abiti.
 - c) Indossare occhiali di protezione integrali e indumenti protettivi. Evitare di toccarsi gli occhi mentre si opera in prossimità della batteria.

- d) Se l'acido della batteria entra in contatto con la pelle o gli indumenti, lavare immediatamente con acqua e sapone. Se l'acido entra in un occhio, sciacquarlo immediatamente con acqua corrente fredda per almeno 10 minuti e consultare immediatamente un medico.
- e) MAI fumare, né accendere fiamme o provocare scintille, in prossimità della batteria o del motore.
- f) Prestare la massima attenzione per evitare di far cadere oggetti di metallo sulla batteria poiché potrebbero causare l'innescio di scintille o un cortocircuito sulla batteria o su altri componenti elettrici che possono essere causa di esplosioni.
- g) Quando si utilizza una batteria al piombo-acido togliere tutti gli oggetti metallici personali, come anelli, braccialetti, catenine e orologi. Una batteria al piombo-acido può produrre una corrente di cortocircuito sufficientemente elevata da saldare un anello, o un oggetto simile, a un'altra superficie metallica, provocando gravi ustioni.
- h) Il caricabatterie deve essere utilizzato unicamente per ricaricare una batteria al PIOMBO-ACIDO. Il caricabatterie non è stato progettato per alimentare sistemi elettrici a basso voltaggio diversi da quelli utilizzati dai motorini di avviamento. Non utilizzare il caricabatterie per ricaricare le batterie a secco comunemente utilizzate negli elettrodomestici. Queste batterie possono esplodere e provocare lesioni a persone e danni materiali.
- i) MAI ricaricare una batteria congelata.

12) OPERAZIONI PRELIMINARI ALLA RICARICA

- a) Se è necessario rimuovere la batteria dal veicolo per la ricarica, scollegare sempre per primo dalla batteria il terminale di messa a terra. Assicurarsi che tutti gli accessori nel veicolo siano spenti per evitare che si generi un arco elettrico.
- b) Verificare che l'area circostante la batteria sia ben ventilata mentre la batteria è in carica.
- c) Pulire i terminali della batteria. Fare in modo che le sostanze corrosive non entrino in contatto con gli occhi.
- d) Aggiungere acqua distillata a ciascuna cella finché l'acido della batteria raggiunge il livello specificato dal produttore. Non riempire eccessivamente. Per una batteria dotata di celle con tappi non rimovibili, come le batterie al piombo-acido regolate da valvole, seguire attentamente le istruzioni di ricarica del produttore.
- e) Consultare tutte le precauzioni specifiche fornite dal produttore della batteria, come la rimozione o la non rimozione dei tappi delle celle durante la ricarica, e le indicazioni sulla sua velocità di ricarica.
- f) Determinare la tensione della batteria facendo riferimento al manuale utente dell'auto e assicurarsi che il commutatore della tensione di uscita sia impostato sulla tensione corretta. Non utilizzare il caricabatterie a meno che la tensione della batteria non corrisponda alla tensione di uscita del caricatore.

13) POSIZIONE DEL CARICABATTERIE

- a) Posizionare il caricabatterie il più lontano possibile dalla batteria, per quanto consentito dai cavi CC.
- b) Non posizionare mai il caricabatterie direttamente sopra la batteria in carica; i gas della batteria possono corrodere e danneggiare il caricabatterie.
- c) Impedire che l'acido della batteria goccioli sul caricabatterie quando viene letto il peso specifico dell'elettrolito o quando si riempie la batteria.
- d) Non utilizzare il caricabatterie in ambienti chiusi e non limitare in alcun modo la ventilazione.
- e) Non posizionare la batteria sulla parte superiore del caricabatterie.

14) PRECAUZIONI PER I COLLEGAMENTI CC

- a) Collegare e scollegare i morsetti di uscita CC della batteria solo dopo aver impostato gli interruttori del caricabatterie su "off" e scollegato il cavo CA dalla presa elettrica. Non consentire mai ai morsetti di toccarsi tra di loro.
- b) Collegare i morsetti alla batteria e all'autotelaio come descritto in 15(e), 15(f), e da 16(b) a 16(d).

15) ATTENERSI A QUESTA PROCEDURA SE LA BATTERIA È INSTALLATA NEL VEICOLO. LA BATTERIA PUÒ ESPLODERE SE SI FORMA UNA SCINTILLA NELLE SUE VICINANZE. PER RIDURRE IL RISCHIO DI FORMAZIONE DI SCINTILLE IN PROSSIMITÀ DELLA BATTERIA:

- a) Posizionare i cavi CA e CC in modo da ridurre il rischio di danneggiamento dovuto al cofano, alla portiera o a componenti in moto del motore.
- b) Mantenere una distanza adeguata dalle pale della ventola, dalle cinghie, dalle pulegge e da altri componenti pericolosi.
- c) Controllare la polarità dei poli della batteria. In genere il diametro del polo POSITIVO (POS, P, +) è maggiore rispetto a quello del polo NEGATIVO (NEG, N, -).
- d) Determinare quale polo della batteria deve essere collegato a massa con l'autotelaio. Se il polo negativo è collegato a massa sull'autotelaio (come nella maggior parte dei veicoli), vedere (e). Se il polo positivo è collegato a massa sull'autotelaio, vedere (f).
- e) Per i veicoli collegati a massa sul polo negativo, collegare il morsetto di carica POSITIVO (ROSSO) del caricabatterie al polo POSITIVO (POS, P, +) non a massa della batteria. Collegare il morsetto NEGATIVO (NERO) all'autotelaio o al blocco motore a una distanza adeguata rispetto alla batteria. Non collegare il morsetto a carburatore, tubazioni del carburante o altre parti in lamiera. Collegarlo a una parte metallica del telaio o del blocco motore di adeguato spessore.
- f) Per i veicoli collegati a massa sul polo positivo, collegare il morsetto di carica NEGATIVO (NERO) del caricabatterie al polo NEGATIVO (NEG, N, -) non a massa della batteria. Collegare il morsetto POSITIVO (ROSSO) all'autotelaio o al blocco motore a una distanza adeguata rispetto alla batteria. Non collegare il morsetto a carburatore, tubazioni del carburante o altre parti in lamiera. Collegarlo a una parte metallica del telaio o del blocco motore di adeguato spessore.
- g) Per scollegare il caricabatterie, posizionare gli interruttori su OFF, scollegare il cavo CA, quindi rimuovere il morsetto dall'autotelaio e dai terminali della batteria.
- h) Consultare il manuale d'istruzioni per informazioni sulla durata della ricarica.

16) ATTENERSI A QUESTA PROCEDURA SE LA BATTERIA NON È INSTALLATA ALL'INTERNO DEL VEICOLO. LA BATTERIA PUÒ ESPLODERE SE SI FORMA UNA SCINTILLA NELLE SUE VICINANZE. PER RIDURRE IL RISCHIO DI FORMAZIONE DI SCINTILLE IN PROSSIMITÀ DELLA BATTERIA:

- a) Controllare la polarità dei poli della batteria. In genere il diametro del polo POSITIVO (POS, P, +) è maggiore rispetto a quello del polo NEGATIVO (NEG, N, -).
- b) Collegare un cavo isolato lungo almeno 24 pollici (AWG 6) al polo NEGATIVO (NEG, N, -).
- c) Collegare il morsetto di carica POSITIVO (ROSSO) al polo POSITIVO (POS, P, +) della batteria.
- d) Posizionarsi e sistemare l'estremità libera del cavo il più lontano possibile dalla batteria, quindi collegare il morsetto di carica NEGATIVO (NERO) all'estremità libera del cavo.
- e) Non avvicinarsi troppo alla batteria mentre si realizza l'ultimo collegamento.
- f) Per scollegare il caricabatterie, procedere sempre in ordine inverso rispetto all'operazione di collegamento e interrompere il primo collegamento mantenendo una distanza di sicurezza adeguata rispetto alla batteria.
- g) Le batterie per uso nautico (barche) devono essere smontate e ricaricate a riva. Per poter ricaricare le batterie a bordo occorre disporre di strumenti progettati specificatamente per l'uso nautico.

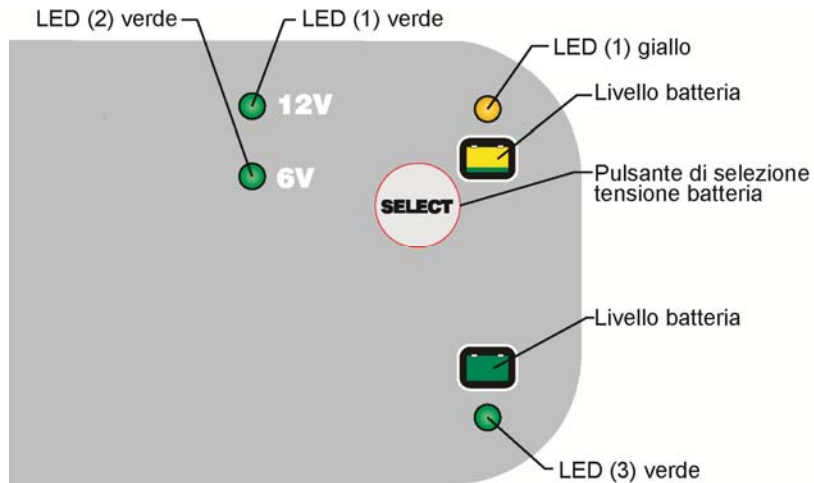
- Questa apparecchiatura può essere utilizzata da bambini di età superiore a 8 anni, da persone con ridotte capacità fisiche, sensoriali o mentali, nonché da persone senza esperienza e conoscenze specifiche, a condizione che esse siano supervisionate e istruite sull'utilizzo sicuro dell'apparecchiatura e sui rischi connessi.
- Non consentire ai bambini di giocare con l'apparecchiatura. Le operazioni di pulizia e manutenzione non possono essere eseguite da bambini senza supervisione.
- Il cavo di alimentazione non può essere sostituito. Se il cavo è danneggiato, l'apparecchiatura deve essere dismessa.
- Verificare regolarmente che il caricabatterie non sia danneggiato, in particolare il cavo, lo spinotto e l'involucro; se il caricabatterie è danneggiato, non deve essere utilizzato finché non è stato riparato.



Questo simbolo indica che le apparecchiature elettriche ed elettroniche devono essere smaltite separatamente

ISTRUZIONI PER L'USO

RICARICA AUTOMATICA E MONITORAGGIO DELLO STATO DELLA BATTERIA: i caricabatterie Battery Tender® sono completamente automatici e possono rimanere collegati a lungo sia all'alimentazione CA sia alla batteria in ricarica. Potenza d'uscita, tensione e corrente del caricabatterie dipendono dalle condizioni della batteria in ricarica. I caricabatterie Battery Tender® presentano diversi indicatori di stato a LED per segnalare visivamente la propria modalità operativa e quindi la condizione della batteria collegata.



Quando l'alimentazione CA viene applicata per la prima volta al caricabatterie, tutti i LED si accendono per due o tre secondi prima di iniziare la sequenza di ricarica elencata di seguito.

Le due spie a LED del livello di carica della batteria (LED 1 giallo, LED 3 verde) consentono di verificare quale sia la modalità di funzionamento del caricabatterie, tra le quattro modalità di ricarica primarie di seguito descritte.

- 1) **Modalità Qualifica/inizializzazione:** il circuito di monitoraggio verifica l'adeguatezza dei livelli di tensione della batteria e la presenza di una buona continuità elettrica tra la batteria e l'uscita CC del caricabatterie.
- 2) **Modalità di ricarica principale (bulk)** (piena carica, corrente costante, percentuale di carica della batteria dallo 0% all'80%)
- 3) **Modalità assorbimento** (alta tensione costante, percentuale di carica della batteria dall'80% al 100%).
- 4) **Modalità accumulo/mantenimento** (bassa tensione costante, percentuale di carica della batteria dal 100% al 103%).

Quando la batteria è completamente carica, il LED(3) verde indicante il livello di carica della batteria si accende a luce fissa e il caricabatterie passa in modalità di ricarica accumulo/mantenimento. Il caricabatterie Battery Tender® monitorerà e manterrà la batteria in regime di piena carica.

PULSANTE DI SELEZIONE TENSIONE BATTERIA

Il caricabatterie Battery Tender® è dotato del pulsante "SELECT (SELEZIONE) che permette di scegliere se ricaricare una batteria da 6 Volt o una da 12 Volt.

La tensione della batteria può essere selezionata una volta applicata l'alimentazione CA al caricabatterie e prima che quest'ultimo sia collegato alla batteria.

Quando il caricabatterie è alimentato con corrente alternata ed è collegato alla batteria, la tensione (12 V o 6 V) non può essere modificata. Per cambiare la modalità, scollegare la batteria dal caricabatterie.

Se l'alimentazione CA si interrompe, il caricabatterie riprenderà la ricarica all'ultima tensione della batteria impostata.

Quando viene collegato alla batteria, il caricabatterie può anche rilevare se è stata selezionata la tensione della batteria non corretta. Uno dei LED verdi (LED 1 o 2) vicino al simbolo 12 V o 6 V lampeggerà impedendo l'avvio del ciclo di carica. Per avviare un nuovo ciclo di carica, resettare il caricabatterie scollegandolo dall'alimentazione CA e dalla batteria difettosa o non corretta per 7-10 secondi. Ricollegare l'alimentazione CA e il caricabatterie sarà pronto per un nuovo ciclo di carica.

ATTENZIONE: il CARICABATTERIE Battery Tender® DISPONE DI UN SISTEMA DI CIRCUITI CHE NON PRODUCE SCINTILLE. I morsetti a coccodrillo o i terminali ad anello non emettono scintille in caso di contatto. Il caricabatterie Battery Tender® non produrrà una tensione di uscita fino a quando non rileverà almeno 3 V dalla batteria. Il caricabatterie deve essere collegato a una batteria con la corretta polarità per poter avviare la carica. Pertanto, qualora si collegasse il cavo di alimentazione CA ad una presa CA con i morsetti a coccodrillo o i terminali ad anello non collegati ad una batteria, questi non produrrebbero scintille in caso di contatto.

NOTA:

PRIMA CHE IL CARICABATTERIE POSSA GENERARE UNA TENSIONE DI USCITA, I MORSETTI A COCCODRILLO O I MORSETTI AD ANELLO DEVONO ESSERE COLLEGATI ALLA BATTERIA.

TEMPO NECESSARIO PER RICARICARE LA BATTERIA:

Il Battery Tender® ricarica ad una velocità di 1.5 A o 1¼ Ah all'ora. Pertanto, una batteria da 15 Ah completamente scarica impiegherà circa 9½ ore per ricaricarsi all' 80%.

OPERAZIONI CON UNA BATTERIA SCARICA O CON UNA BATTERIA A TENSIONE BASSISSIMA:

Se si tenta di ricaricare una batteria scarica con una tensione inferiore a 3 V, il caricabatterie Battery Tender® non avvierà la ricarica. Un circuito interno di sicurezza impedisce al caricabatterie di generare una tensione d'uscita fino a quando non rileverà almeno 3 V in uscita dal caricabatterie. In questa situazione, il LED giallo continuerà a lampeggiare per indicare che la ricarica non è stata avviata.

NOTA:

Se una batteria al piombo-acido da 12 V presenta una tensione d'uscita inferiore a 9 V a riposo, vale a dire quando non è in carica o non sta alimentando un carico esterno, è molto probabile che sia difettosa. Come riferimento, una batteria al piombo-acido da 12 V completamente carica avrà una tensione a vuoto e a riposo di circa 12,9 V. Una batteria al piombo-acido da 12 Volt completamente scarica avrà una tensione a vuoto e a riposo di circa 11,4 V. Ciò significa che una variazione di tensione di soli 1,5 V rappresenta l'intero range di ricarica da 0% a 100% di una batteria al piombo-acido da 12 V. A seconda del produttore e dell'età della batteria, le tensioni specifiche varieranno di pochi decimi di volt, ma il range di 1,5 V sarà comunque un buon indicatore della percentuale di carica della batteria.

SPIA DI STATO: se la spia è spenta, la batteria non è collegata correttamente e/o il caricabatterie non è collegato all'alimentazione CA. Di seguito è descritto il funzionamento della spia:

- < **SPIA GIALLA LAMPEGGIANTE** (LED 1 giallo) – Il LED giallo lampeggiante indica che l'alimentazione CA del caricabatterie è disponibile e che il microprocessore funziona correttamente. Se il LED giallo continua a lampeggiare, è possibile che la tensione della batteria sia troppo bassa (meno di 3 V) o che i morsetti a coccodrillo o i terminali ad anello non siano collegati correttamente.

- < **SPIA GIALLA FISSA** (LED 1 giallo) – Il LED giallo fisso indica che la batteria è collegata correttamente e che il caricabatterie la sta caricando. Il LED giallo resterà acceso fino alla fine del ciclo di ricarica.

- < **SPIA VERDE LAMPEGGIANTE** (LED 3 verde) – Il LED verde lampeggiante e il LED giallo (LED 1 giallo) fisso indicano che la percentuale di carica della batteria supera l'80%; la batteria può pertanto essere scollegata dal caricabatterie e, se necessario, essere rimessa in funzione. Se possibile, lasciare la batteria sotto carica fino a quando la spia verde non diventerà fissa.

- < **SPIA VERDE FISSA** (LED 3 verde) – Il LED verde fisso indica che la ricarica è completa e, se necessario, la batteria può essere rimessa in funzione. La batteria può anche rimanere collegata per un certo periodo di tempo mantenendo la percentuale di carica.

RISOLUZIONE DEI PROBLEMI

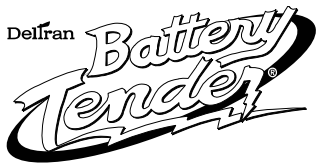
- 1) Se il caricabatterie non si accende e nessuno dei LED si illumina.
 - a. Verificare che la presa CA fornisca alimentazione, provando a collegare una lampada, un apparecchio o un misuratore di tensione.
- 2) Il LED (3) verde si accende immediatamente quando si ricarica una batteria scarica.
 - a. La batteria potrebbe essere difettosa; riconsegnarla al rivenditore affinché possa essere testata.
- 3) Quando si ricarica una batteria il LED verde non si accende.
 - a. La batteria potrebbe essere difettosa; riconsegnarla al rivenditore affinché possa essere testata.
 - b. La batteria assorbe troppa corrente; rimuoverla o scollegarla dal caricabatterie.
- 4) Il LED giallo continua a lampeggiare anche se la batteria è collegata:
 - a. Controllare il fusibile nel cavo ausiliario.
- 5) Il LED verde 12 V lampeggia.
 - a. La batteria è danneggiata o è stata selezionata la tensione della batteria non corretta.
- 6) Il LED verde 6 V lampeggia.
 - a. La batteria è danneggiata o è stata selezionata la tensione della batteria non corretta.
- 7) Il LED verde e il LED giallo si accendono alternativamente.
 - a. Invertire la polarità dei collegamenti alla batteria.
 - b. Il timer di sicurezza del caricabatterie si è attivato poiché la batteria non raggiunge la sua tensione ottimale. La batteria potrebbe essere difettosa; riconsegnarla al rivenditore affinché possa essere testata.

Avvertenza FCC

Titolo 47 Sottoparte, 15.105(b)

Nota: questo apparecchio è stato testato ed è risultato conforme ai limiti per i dispositivi digitali di classe B, secondo la parte 15 delle norme FCC. Tali limiti sono studiati per fornire un'adeguata protezione contro le interferenze dannose nelle installazioni residenziali. Questo apparecchio genera, utilizza e può emettere energia a radiofrequenza e, se non installato e utilizzato in conformità alle istruzioni, può causare gravi interferenze alla ricezione radiotelevisiva, determinabili spegnendo e riaccendendo l'apparecchio. L'utente è invitato a correggere l'interferenza adottando una o più delle seguenti misure:

- Riorientare o riposizionare l'antenna di ricezione.
 - Aumentare la distanza tra l'apparecchio e il ricevitore.
 - Collegare l'apparecchio a una presa di un circuito diverso da quello a cui è collegato il ricevitore.
- In caso di necessità di assistenza contattare il rivenditore o un tecnico radio/TV esperto.



Deltran Battery Tender® Seleccionável
Desenvolvido para baterias ácido-chumbo de seis células
de 1,2 – 200 Ah &
Baterias ácido-chumbo de três células de 1,2 – 200 Ah

INSTRUÇÕES IMPORTANTES DE SEGURANÇA

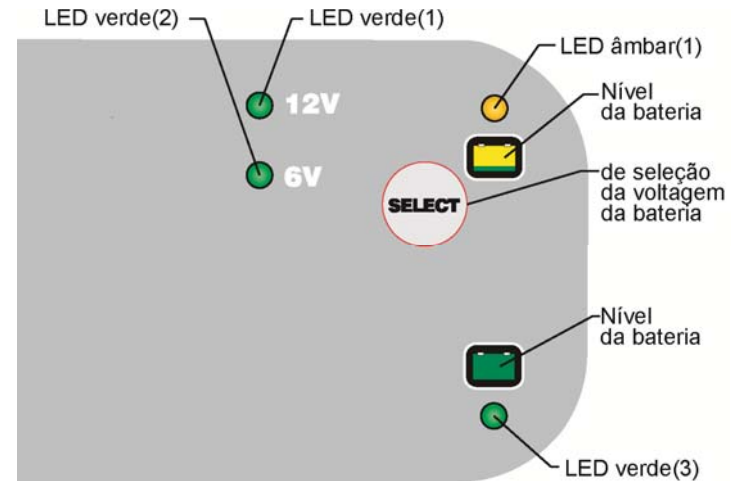
- 1) **GUARDE ESTAS INSTRUÇÕES** – Este manual contém instruções importantes de segurança e operação para o carregador de baterias modelo P/N 022-0211.
 - 2) Não exponha o carregador à chuva ou à neve.
 - 3) O uso de acessórios que não sejam recomendados ou vendidos pelo fabricante do carregador de baterias pode resultar em incêndio, choque elétrico ou ferimentos.
 - 4) Para reduzir o risco de danos ao terminal e ao fio, puxar pelo terminal em vez do fio ao desligar o carregador.
 - 5) Não devem ser usadas extensões a menos que seja absolutamente necessário. O uso de uma extensão inadequada pode resultar em incêndio ou choque elétrico. Se for necessário usar uma extensão, certifique-se de que:
 - a) A tomada da extensão tem o mesmo número de pinos da mesma dimensão e formato dos do terminal do carregador;
 - b) A extensão está devidamente ligada e em bom estado; e
 - c) A medida dos condutores tem capacidade suficiente para a amperagem CA do carregador, tal como especificado na Tabela 1
- | TABELA 1 | | | | |
|--|-----------|-----------|------------|------------|
| Comprimento da extensão, em pés | 25 | 50 | 100 | 150 |
| Dimensão AWG da extensão | 18 | 18 | 18 | 16 |
- 6) Não operar o carregador com um fio ou terminal danificados – trocá-los imediatamente.
 - 7) Não operar o carregador se este tiver sofrido uma pancada forte, caído ou estiver danificado. Levá-lo a um técnico qualificado.
 - 8) Não desmontar o carregador. Levá-lo a um técnico qualificado quando for necessária uma revisão ou reparação. A montagem incorreta pode resultar no risco de choque elétrico ou num incêndio.
 - 9) Para reduzir o risco de choque elétrico, desligue o carregador da tomada antes de efetuar qualquer trabalho de manutenção ou limpeza. Desligar os interruptores não reduz esse risco.
 - 10) **AVISO – RISCO DE GASES EXPLOSIVOS.**
 - a) **OPERAR NA PROXIMIDADE DE BATERIAS DE ÁCIDO-CHUMBO É PERIGOSO. AS BATERIAS GERAM GASES EXPLOSIVOS DURANTE O SEU NORMAL FUNCIONAMENTO. POR ESTA RAZÃO, É DA MAIOR IMPORTÂNCIA SEGUIR AS INSTRUÇÕES SEMPRE QUE SE USA O CARREGADOR.**
 - b) Para reduzir o risco de explosão da bateria, siga estas instruções assim como as instruções do fabricante da bateria e do fabricante de qualquer equipamento que tencione usar próximo da bateria. Leia as etiquetas de aviso que existam nestes produtos e no motor.
 - 11) **CUIDADOS PESSOAIS**
 - a) Considere ter alguém suficientemente perto para o ajudar enquanto operar perto de uma bateria de ácido-chumbo.
 - b) Tenha bastante água fresca e sabão por perto para o caso de o ácido entrar em contacto com a pele, a roupa ou os olhos.
 - c) Use proteção ocular total e roupa de proteção. Evite mexer nos olhos enquanto trabalha próximo de uma bateria.

- d) Se o ácido da bateria entrar em contacto com a pele ou a roupa, lave imediatamente com água e sabão. Se o ácido saltar para os olhos, lave-os imediatamente com água fria corrente durante pelo menos 10 minutos e procure assistência médica assim que possível.
 - e) NUNCA fume nem permita faíscas ou chamas próximo da bateria ou do motor.
 - f) Tenha especial atenção para evitar deixar cair ferramentas metálicas na bateria. Podem provocar uma faísca ou criar um curto-circuito na bateria ou noutra parte metálica, o que pode provocar uma explosão.
 - g) Retire todos os artigos pessoais metálicos como anéis, pulseiras, fios e relógios quando trabalhar com baterias de ácido-chumbo. Uma bateria de ácido-chumbo pode criar uma corrente de curto-circuito suficientemente elevada para soldar um anel ou objetos semelhantes ao metal, provocando queimaduras graves.
 - h) Utilize o carregador apenas para carregar baterias de ÁCIDO-CHUMBO. Não se destina a fornecer alimentação a um sistema elétrico de baixa tensão, para além da aplicação num motor de arranque. Não use o carregador para carregar as baterias secas que são normalmente usadas nos aparelhos domésticos. Estas baterias podem rebentar e provocar ferimentos em pessoas ou danos materiais.
 - i) NUNCA carregue uma bateria congelada.
- 12) PREPARAÇÃO PARA CARREGAR**
- a) Se for necessário tirar a bateria do veículo para a carregar, desligar sempre o terminal de massa primeiro. Certifique-se de que todos os acessórios no veículo estão desligados, para não provocar um arco.
 - b) Certifique-se de que a zona circundante da bateria está bem ventilada enquanto a bateria estiver a carregar.
 - c) Limpe os bornes da bateria. Tenha cuidado para evitar que a corrosão entre em contacto com os olhos.
 - d) Adicione água destilada em cada célula até que a bateria atinja o nível especificado pelo fabricante. Não encha acima do limite. Para baterias sem coberturas das células amovíveis, tais como baterias de ácido-chumbo reguladas por ácido, siga cuidadosamente as instruções de recarregamento do fabricante.
 - e) Estude todas as precauções específicas do fabricante da bateria tais como remover ou não remover as tampas das células ao carregar e ritmos de carregamento recomendados.
 - f) Determine a voltagem da bateria consultando o manual do veículo e garanta que o interruptor seletor da voltagem de saída está na voltagem correta. Não use o carregador de baterias a menos que a tensão da bateria seja compatível com a tensão de saída do carregador.
- 13) LOCALIZAÇÃO DO CARREGADOR**
- a) Coloque o carregador o mais longe possível da bateria que os cabos CC permitam.
 - b) Nunca coloque o carregador diretamente por cima da bateria a ser carregada; os gases da bateria corroerão e danificarão o carregador.
 - c) Nunca deixe ácido da bateria pingar para o carregador ao ler a gravidade eletrolítica específica ou ao encher a bateria.
 - d) Nunca use o carregador numa zona fechada ou com pouca ventilação.
 - e) Não coloque a bateria em cima do carregador.
- 14) CUIDADOS COM AS LIGAÇÕES DE CORRENTE CONTÍNUA (CC)**
- a) Ligar e desligar as pinças de saída CC apenas depois de ter colocado todos os interruptores do carregador na posição "OFF" e removido o fio CA da tomada elétrica. Nunca deixar que as pinças se toquem.
 - b) Ligue as pinças à bateria e ao chassis como indicado em 15(e), 15(f) e 16(b) a 16(d).
- 15) SIGA ESTES PASSOS QUANDO A BATERIA ESTIVER INSTALADA NUM VEÍCULO. UMA FAÍSCA PERTO DA BATERIA PODE PROVOCAR UMA EXPLOSÃO. PARA REDUZIR O RISCO DE FAÍSCAS PERTO DA BATERIA:**
- a) Posicionar os cabos de alimentação CA e CC de forma a reduzir o risco de serem danificados pelo capot, portas ou peças móveis do motor.
 - b) Mantenha-se afastado de ventoinhas, correias, polias e de outras peças que possam provocar ferimentos.

INSTRUÇÕES DE UTILIZAÇÃO

CARREGAMENTO AUTOMÁTICO E MONITORIZAÇÃO DO ESTADO DA BATERIA:

Os carregadores Battery Tender® são completamente automáticos e podem ficar ligados tanto à energia CA como à bateria a carregar por longos períodos de tempo. A voltagem, corrente e potência de saída do carregador dependem do estado da bateria a carregar. Os carregadores Battery Tender® têm vários LED indicadores que providenciam um meio visual para determinar o modo de operação do carregador e também o estado da bateria ligada ao carregador.



Quando é aplicada energia CA no carregador, todos os LED ligam-se entre dois e três segundos antes de começar a sequência de carregamento listada abaixo.

Os dois LED indicadores do estado da bateria (LED amarelo 1, LED verde 3) estão disponíveis para determinar se o carregador está a operar em um de quatro modos de carregamento primários:

- 1) **Modo de Qualificação/Inicialização:** O circuito de monitorização verifica os níveis de voltagem da bateria adequados e a boa continuidade elétrica entre a bateria e a saída CC do carregador.
- 2) **Modo de carga** (carregamento completo, corrente constante, bateria carregada entre 0% e 80%)
- 3) **Modo de absorção** (corrente elevada constante, bateria carregada entre 80% e 100%).
- 4) **Modo de armazenamento/flutuação** (corrente baixa constante, bateria carregada entre 100% e 103%).

Quando a bateria estiver totalmente carregada, o LED verde (3) indicador do estado do nível da bateria ficará verde e o carregador mudará para o modo de carga de armazenamento/manutenção. O carregador Battery Tender® monitorizará e manterá automaticamente a bateria com a carga total.

- c) Verifique a polaridade dos bornes da bateria. Normalmente, o borne POSITIVO (POS, P, +) da bateria tem um diâmetro superior ao do borne NEGATIVO (NEG, N, -).
- d) Verifique qual é o borne da bateria que está ligado ao chassis (massa). Se o borne negativo estiver ligado à massa do chassis (como na maioria dos veículos), consulte (e). Se o borne positivo estiver ligado à massa do chassis, consulte (f).
- e) Para veículos com o negativo à massa, ligue a pinça POSITIVA (VERMELHA) do carregador ao borne POSITIVO (POS, P, +) sem massa da bateria. Ligue a pinça NEGATIVA (PRETA) ao chassis ou à cabeça do motor, longe da bateria. Não ligue a pinça ao carburador, às linhas de combustível nem a peças de chapa fina da carroçaria. Faça a ligação à cabeça do motor ou numa parte maciça do quadro.
- f) Para veículos com o positivo à massa, ligue a pinça NEGATIVA (PRETA) do carregador ao borne NEGATIVO (NEG, N, -) sem massa da bateria. Ligue a pinça POSITIVA (VERMELHA) ao chassis ou à cabeça do motor, longe da bateria. Não ligue a pinça ao carburador, às linhas de combustível nem a peças de chapa fina da carroçaria. Faça a ligação à cabeça do motor ou numa parte maciça do quadro.
- g) Ao desligar o carregador, desligue todos os interruptores, desligue o cabo CA, retire a pinça do chassis do veículo e depois retire a pinça do borne da bateria.
- h) Consulte as instruções para informações sobre o tempo de carregamento.

16) SIGA ESTES PASSOS QUANDO A BATERIA ESTIVER FORA DO VEÍCULO. UMA FAÍSCA PERTO DA BATERIA PODE PROVOCAR UMA EXPLOÇÃO. PARA REDUZIR O RISCO DE FAÍSCAS PERTO DA BATERIA:

- a) Verifique a polaridade dos bornes da bateria. Normalmente, o borne POSITIVO (POS, P, +) da bateria tem um diâmetro superior ao do borne NEGATIVO (NEG, N, -).
- b) Ligue um cabo de bateria isolado de 6 (AWG) com pelo menos 60 centímetros de comprimento, ao borne NEGATIVO (NEG, N, -) da bateria.
- c) Ligue a pinça POSITIVA (VERMELHA) do carregador ao borne POSITIVO (POS, P, +) da bateria.
- d) Coloque-se ao pé da ponta livre do cabo, o mais afastado possível da bateria, e ligue a pinça NEGATIVA (NEG, N, -) à ponta do cabo.
- e) Não esteja de frente para a bateria ao executar a ligação final.
- f) Ao desligar o carregador, faça-o sempre na ordem inversa ao procedimento de ligação e desligue a primeira ligação enquanto estiver o mais afastado possível da bateria.
- g) Baterias marítimas (de barco) devem ser retiradas e carregadas em terra. O carregamento a bordo requer equipamento especialmente concebido para uso marítimo.

- *Este aparelho pode ser utilizado por crianças com idade superior a 8 anos e por pessoas com capacidades físicas, sensoriais ou mentais reduzidas, ou com falta de experiência, desde que lhes tenham sido dadas instruções e supervisão em relação à utilização segura do aparelho e que compreendam os riscos envolvidos.*
- As crianças não devem brincar com este aparelho. A limpeza e manutenção por parte do utilizador não devem ser efetuadas por crianças sem supervisão.
- O cabo de alimentação não pode ser substituído. Se o cabo for danificado, o aparelho deve ser descartado.
- Examine o carregador regularmente para encontrar danos, especificamente no cabo, tomada e na caixa; se o carregador estiver danificado, não deverá ser usado até ter sido reparado.



Este símbolo indica a recolha separada de equipamento elétrico e eletrónico

BOTÃO DE SELEÇÃO DA VOLTAGEM DA BATERIA

O carregador Battery Tender® tem um botão "SELECT" que lhe permite trocar entre o carregamento de uma bateria de 6V ou de 12V.

A voltagem da bateria pode ser selecionada assim que o carregador tiver energia CA ligada e antes de o carregador ser ligado à bateria.

Assim que o carregador tiver energia CA e também estiver ligado à bateria, a seleção da voltagem (12V ou 6V) não pode ser mudada. Para alterar o modo, desligar a bateria do carregador.

Se a energia CA for interrompida, o carregador retomará o carregamento com a última voltagem selecionada.

O carregador também pode detectar se foi selecionada a voltagem incorreta da bateria assim que a ligação à bateria for estabelecida. Um dos LED verdes (LED 1 ou 2) situados ao lado do símbolo 12V ou 6V lampeará, impedindo o início do ciclo de carga. Para começar um novo ciclo de carga, restabelecer o carregador desligando-o da fonte CA e da bateria errada/defeituosa por 7 a 10 segundos. Religar fonte CA e o carregador estará pronto para um novo ciclo de carga.

ATENÇÃO: O CARREGADOR Battery Tender® TEM UM CIRCUITO ISENTO DE FAÍSCAS. Nem as pinças de crocodilo nem os terminais provocarão faísca se tocarem um no outro. O carregador Battery Tender® não produzirá qualquer tensão à saída enquanto não detectar pelo menos 3V na bateria. Deverá estar corretamente ligado a uma bateria com a polaridade correta antes de começar a carregá-la. Por isso, se ligar o cabo de energia CA a uma tomada CA e as pinças de crocodilo ou terminais não estiverem ligados a uma bateria, e se ligar as pinças aos terminais, não haverá uma faísca elétrica.

NOTA:

AS PINÇAS OU OS TERMINAIS DE SAÍDA TÊM DE ESTAR LIGADOS À BATERIA ANTES DE O CARREGADOR GERAR QUALQUER TENSÃO DE SAÍDA.

TEMPO NECESSÁRIO PARA CARREGAR UMA BATERIA:

O Battery Tender® carrega a um ritmo de 1.25 Amp ou 1¼ Ah por hora. Assim, uma bateria de 15 Ah totalmente descarregada demorará cerca de 9½ horas a carregar até 80% da sua capacidade.

TRABALHAR COM UMA BATERIA MORTA OU COM UMA VOLTAGEM MUITO BAIXA:

Se tentar carregar uma bateria morta com uma voltagem inferior a 3V, o carregador Battery Tender® não arrancará. Um circuito interno de segurança previne o carregador de produzir qualquer tensão à saída enquanto não detectar pelo menos 3V na bateria. Nesta situação, o LED âmbar continuará a lampear, indicando que o carregamento não foi iniciado.

NOTA:

Se uma bateria de chumbo-ácido de 12V tiver uma voltagem de saída inferior a 9V em repouso, quando não estiver a ser carregada nem a fornecer corrente elétrica a uma carga externa, existe uma grande probabilidade de a bateria estar defeituosa. Como ponto de referência, uma bateria de ácido-chumbo de 12V totalmente carregada terá, no seu estado de repouso, uma voltagem de cerca de 12,9V sem carga. Uma bateria de ácido-chumbo de 12V totalmente descarregada terá, no seu estado de repouso, uma voltagem de cerca de 11,4V sem carga. Isto significa que uma alteração de voltagem de apenas 1,5V representa a gama total de carga de 0% a 100% numa bateria de ácido-chumbo de 12V. Dependendo do fabricante e da idade da bateria, as voltagens específicas variarão em poucas décimas de Volt, mas a gama de 1,5V continuará a ser um bom indicador da percentagem de carga da bateria.

LUZ INDICADORA DE ESTADO: Se a luz estiver apagada, a bateria não está corretamente ligada e/ou o carregador não está ligado à energia CA. Segue-se a descrição do funcionamento da luz:

- < **LUZ ÂMBAR INTERMITENTE** (LED âmbar 1) – O LED âmbar intermitente indica que o carregador da bateria tem energia CA disponível e que o microprocessador funciona corretamente. Se o LED âmbar continuar intermitente, ou a voltagem da bateria é demasiado baixa (inferior a 3V) ou as pinças de crocodilo ou os terminais de saída não estão corretamente ligados.
- < **LUZ ÂMBAR FIXA** (LED âmbar 1) – Quando o LED âmbar está fixo, a bateria está ligada corretamente e o carregador está a carregá-la. O LED âmbar manter-se-á aceso até o carregador terminar a fase de carregamento.
- < **LUZ VERDE INTERMITENTE** (LED verde 3) – Quando o LED verde está intermitente e o LED âmbar (LED âmbar 1) está fixo, a bateria tem uma carga superior a 80% e, se necessário, pode ser desligada do carregador e usada. Sempre que possível, deixe a bateria a carregar até a luz verde se manter acesa.
- < **LUZ VERDE FIXA** (LED verde 3) – Quando o LED verde está fixo, o carregamento terminou e, se necessário, a bateria pode regressar ao serviço. Também pode continuar ligada para manutenção por um período indeterminado de tempo.

RESOLUÇÃO DE PROBLEMAS

- 1) Se o carregador não se ligar e nenhum dos LED se acender.
 - a. Verifique se a tomada CA tem tensão ligando um candeeiro, um eletrodoméstico ou um voltímetro.
- 2) O LED verde (3) liga-se imediatamente ao ligar uma bateria descarregada.
 - a. Provavelmente a bateria está defeituosa, leve-a a um revendedor para ser testada.
- 3) Ao carregar uma bateria o LED verde nunca se liga.
 - a. A bateria pode ter um defeito, leve-a a um revendedor para ser testada.
 - b. A bateria tem um consumo de corrente excessivo. Desligue-a ou remova-a do equipamento.
- 4) O LED âmbar continua intermitente mesmo com uma ligação à bateria:
 - a. Verifique o fusível no cabo de acessórios.
- 5) O LED verde 12V está intermitente.
 - a. A bateria está danificada ou foi selecionada a voltagem incorreta.
- 6) O LED verde 6V está intermitente.
 - a. A bateria está danificada ou foi selecionada a voltagem incorreta.
- 7) Os LED âmbar e verde alternam entre si.
 - a. Troque a polaridade da ligação à bateria.
 - b. O temporizador de segurança do carregador foi ativado por a bateria não ter atingido a sua voltagem ideal. A bateria pode ter um defeito, leve-a a um revendedor para ser testada.

Aviso FCC

Secção 47, Parágrafo 15.105(b)

Nota: Este equipamento foi testado e aprovado segundo os limites para um equipamento digital classe B, de acordo com o parágrafo 15 das regras da FCC. Estes limites foram desenhados para garantir proteção razoável contra interferências nocivas em instalações residenciais. Este equipamento gera, usa e pode radiar energia de frequências rádio e, se não for instalado e usado de acordo com as instruções, pode causar interferências nocivas na receção de radiotelevisão, o que pode ser determinado desligando e ligando o equipamento; aconselha-se o utilizador a tentar corrigir a interferência com uma ou mais das seguintes medidas:

- Reorientar ou mover a antena recetora.
- Aumentar a separação entre o equipamento e o recetor.
- Ligar o equipamento a uma tomada ou um circuito diferentes do recetor. Consulte o revendedor ou um técnico de rádio/TV experiente para aconselhamento.



Deltran Battery
Tender® Selectable
Ontworpen voor zes loodzuuraccu's van 1,2 tot 200 Ah en
drie loodzuuraccu's van 1,2 tot 200 Ah.

BELANGRIJKE VEILIGHEIDSINSTRUCTIES

- 1) BEWAAR DEZE VEILIGHEIDSINSTRUCTIES - Deze handleiding bevat belangrijke veiligheids- en bedieningsinstructies voor de accu-oplader met onderdeelnummer P/N 022-0211.
- 2) Stel de oplader niet bloot aan regen of sneeuw.
- 3) Wanneer u onderdelen gebruikt die niet door de fabrikant van de acculader worden aanbevolen of verkocht, kan dat leiden tot brand, een elektrische schok of persoonlijk letsel.
- 4) Verwijder de oplader door aan de stekker trekken in plaats van aan het snoer: zo voorkomt u schade aan stekker en snoer.
- 5) Gebruik alleen verlengsnoeren wanneer dat echt niet anders kan. Het gebruik van een verkeerd verlengsnoer kan brand of een elektrische schok tot gevolg hebben. Moet er toch een verlengsnoer worden gebruikt? Let dan op het volgende:
 - a) De stekker van het verlengsnoer moet net zoveel pennen hebben als de stekker van de adapter. De maat en vorm van de pennen moet gelijk zijn;
 - b) Het verlengsnoer moet naar behoren zijn aangesloten en in goede staat verkeren;
 - c) Het snoer moet anders hebben met een diameter die groot genoeg is voor de door de adapter afgenomen stroom (zie Tabel 1).

TABEL 1

Lengte van het snoer, in voet	25	50	100	150
AWG-waarde van het snoer	18	18	18	16

- 6) Gebruik de oplader niet wanneer het snoer of de stekker beschadigd is. Vervang het snoer of de stekker in dat geval onmiddellijk.
- 7) Gebruik de oplader niet als deze een harde klap heeft gehad, is gevallen of op een andere manier is beschadigd. Ga er in dat geval mee naar een erkend servicebedrijf.
- 8) Demonteer de oplader niet. Ga ermee naar een erkend servicebedrijf als service of reparatie nodig is. Verkeerde hermontage kan leiden tot een elektrische schok of brand.
- 9) Trek de stekker uit het stopcontact voordat u onderhouds- of reinigingswerkzaamheden aan de oplader uitvoert: zo verkleint u het risico op een elektrische schok. Dit risico wordt niet weggenomen door de lader alleen uit te schakelen.
- 10) **WAARSCHUWING – GEVAAR VAN EXPLOSIEVE GASSEN.**
 - a) WERKEN IN DE BUURT VAN LOODZWAVELZUURACCU'S IS GEVAARLIJK. BIJ NORMAAL BEDRIJF PRODUCEREN DEZE ACCU'S EXPLOSIEVE GASSEN. DAAROM IS HET UITERST BELANGRIJK DAT U STEEDS DE INSTRUCTIES NAUWGEZET OPVOLGT WANNEER U DE OPLADER GEBRUIKT.
 - b) Om het risico van een exploderende accu te voorkomen, moet u zowel deze instructies opvolgen, als die van de accufabrikant en de fabrikant van de apparatuur die in de buurt van de accu wordt gebruikt. Raadpleeg de waarschuwingen op deze producten en op de motor.
- 11) **PERSOONLIJKE VOORZORGSMATREGELEN**
 - a) Het is verstandig om iemand in de buurt te hebben die hulp kan verlenen wanneer u bij een loodzwavelzuuraccu werkt.
 - b) Zorg dat er voldoende schoon water en zeep binnen handbereik is, voor het geval u accuzuur op uw huid of kleding of in uw ogen krijgt.
 - c) Draag beschermende kleding en een veiligheidsbril die de ogen volledig afschermt. Raak uw ogen niet aan wanneer u bij een accu werkt.

- d) Was accu zuur dat op uw huid of kleding komt direct af met water en zeep. Wanneer u zuur in uw ogen krijgt, dient u de ogen direct en gedurende ten minste 10 minuten uit te spoelen met koud stromend water. Neem onmiddellijk contact op met een arts.
- e) Rook NOOIT in de buurt van een accu of motor en houd vonken en open vuur bij de accu of de motor weg.
- f) Voorkom dat metalen gereedschap op de accu valt: hierdoor kan een vonk of kortsluiting in de accu of in andere elektrische onderdelen ontstaan, waardoor er explosies kunnen optreden.
- g) Verwijder op het lichaam gedragen metalen voorwerpen, zoals ringen, armbanden, halskettingen en horloges, als u met een loodzwezelzuuraccu werkt. Een loodzwezelzuuraccu kan bij kortsluiting een stroom opwekken die sterk genoeg is om een ring of iets dergelijks aan metaal vast te lassen. Daardoor kunnen ernstige brandwonden ontstaan.
- h) Gebruik de oplader alleen voor het opladen van LOOD-ZUURACCU'S. De oplader is uitsluitend bedoeld voor toepassingen met een startmotor en mag voor geen enkele andere laagspanningstoepassing gebruikt worden. Gebruik de oplader niet voor het opladen van drogecelaccu's die normaal voor huishoudelijke apparaten worden gebruikt. Dergelijke accu's kunnen barsten en persoonlijk letsel en schade aan eigendommen veroorzaken.
- i) Laad NOOIT een bevroren accu op.

12) VOORBEREIDING VOOR HET OPLADEN

- a) Wanneer u de accu uit het op te laden voertuig moet verwijderen, moet u altijd eerst de massaklem van de accu halen. Zorg dat alle accessoires in het voertuig zijn uitgeschakeld, zodat geen vonkboog kan ontstaan.
- b) Zorg dat de omgeving rondom de accu goed is geventileerd terwijl de accu wordt opgeladen.
- c) Reinig de accupolen. Zorg dat u geen roest in uw ogen krijgt.
- d) Vul elke cel bij met gedestilleerd water tot de zuuroplossing van de accu op het door de accufabrikant voorgeschreven peil is. Vul nooit teveel bij. Wanneer u een accu zonder verwijderbare celdoppen gebruikt, zoals loodzuuraccu's met kleppen, dient u de instructies van de fabrikant voor het opladen zorgvuldig te volgen.
- e) Raadpleeg alle specifieke voorzorgsmaatregelen van de accuproducent, zoals maatregelen voor het al dan niet verwijderen van de celdoppen tijdens het opladen en de aanbevolen laadspanning.
- f) Stel de spanning van de accu vast aan de hand van de gegevens in het handboek van uw auto. Zorg dat de keuzeschakelaar voor de uitgangsspanning op de juiste stand staat. Gebruik de oplader alleen als de accuspanning overeenkomt met de uitgangsspanning van de lader.

13) PLAATS VAN DE OPLADER

- a) Plaats de oplader zo ver mogelijk bij de accu vandaan.
- b) Plaats de oplader nooit recht boven de accu die wordt opgeladen: de gassen die vrijkomen zullen leiden tot corrosie en beschadiging van de oplader.
- c) Voorkom dat het accu zuur op de oplader kan druppelen terwijl u het soortelijk gewicht van het elektrolyt leest of de accu oplaadt.
- d) Gebruik de oplader niet in een gesloten ruimte en hinder nooit de ventilatie.
- e) Plaats een accu nooit bovenop een lader.

14) VOORZORGSMAATREGELEN VOOR LAADAANSLUITINGEN

- a) Zorg dat de schakelaars van de oplader in de stand "off" staan en dat het netsnoer niet in het stopcontact zit voor u de aansluitklemmen van de laadsnoeren aansluit. De klemmen mogen elkaar nooit raken.
- b) Bevestig de klemmen aan de accu en het chassis. Raadpleeg de rubrieken 15(e), 15(f) en 16(b) tot en met 16(d) voor meer informatie.

15) VOLG DE ONDERSTAANDE STAPPEN ALS DE ACCU IN HET VOERTUIG IS GEÏNSTALLEERD. DE ACCU KAN EXPLODEREN WANNEER ER VONKEN IN DE BUURT VRIJKOMEN. U KUNT HET RISICO OP VONKEN BIJ DE ACCU ALS VOLGT VERMINDEREN:

- a) Plaats de laadsnoeren en het netsnoer zo dat er zo min mogelijk risico op beschadiging bestaat door de motorkap, portieren of bewegende motoronderdelen.

- b) Blijf uit de buurt van ventilatorschoepen, riemen, poelies en andere onderdelen die persoonlijk letsel kunnen veroorzaken.
- c) Controleer de polariteit van de accupolen. De PLUS-pool (POS, P, +) heeft meestal een grotere diameter dan de MIN-pool (NEG, N, -).
- d) Ga na welke accupool met het chassis verbonden is (massa). Raadpleeg (e) wanneer de minpool de massapool is. Dit is bij de meeste voertuigen het geval. Raadpleeg (f) wanneer de pluspool de massapool is.
- e) Bij een voertuig met min aan massa moet de PLUS-klem (ROOD) van de acculader worden verbonden met de PLUS-pool (POS, P, +) van de accu. Verbind de MIN-klem (ZWART) met het voertuigchassis of het motorblok, op enige afstand van de accu. Verbind de klem niet met de carburateur, brandstofleidingen of carrosserieonderdelen van plaatstaal. Verbind de klem met een dik metalen onderdeel van het chassis of motorblok.
- f) Bij een voertuig met plus aan massa moet de MIN-klem (ZWART) van de acculader worden verbonden met de MIN-pool (NEG, N, -) van de accu. Verbind de PLUS-klem (ROOD) met het voertuigchassis of het motorblok, op enige afstand van de accu. Verbind de klem niet met de carburateur, brandstofleidingen of carrosserieonderdelen van plaatstaal. Verbind de klem met een dik metalen onderdeel van het chassis of motorblok.
- g) Koppel de lader als volgt los: zet de schakelaars van de lader op "off" en haal het netsnoer uit het stopcontact. Maak daarna de klem van het voertuigchassis los en ontkoppel tenslotte de klem van de accupool.
- h) Zie de gebruiksinstructies voor informatie over de laadduur.

16) VOLG DEZE STAPPEN ALS DE ACCU ZICH BUITEN HET VOERTUIG BEVINDT. DOOR VONKEN NABIJ DE ACCU KAN DIE EXPLODEREN. U KUNT HET RISICO OP VONKEN BIJ DE ACCU ALS VOLGT VERMINDEREN:

- a) Controleer de polariteit van de accupolen. De PLUS-pool (POS, P, +) heeft meestal een grotere diameter dan de MIN-pool (NEG, N, -).
- b) Sluit een geïsoleerde accukabel van minimaal 60 cm en een aderdiameter van 16 mm aan op de MIN-pool (NEG, N, -) van de accu.
- c) Verbind de PLUS-klem (ROOD) van de lader met de PLUS-pool (POS, P, +) van de accu.
- d) Neem het vrije uiteinde van de kabel en plaats deze zo ver mogelijk van de accu. Verbind vervolgens de MIN-klem (ZWART) van de lader met het vrije uiteinde van de kabel.
- e) Keer uzelf niet naar de accu toe wanneer u de definitieve verbinding maakt.
- f) Ontkoppel de lader altijd in de omgekeerde volgorde en onderbreek de eerste verbinding terwijl u zich zo ver mogelijk van de accu bevindt.
- g) Accu's voor scheepvaarttoepassingen moeten aan de wal worden verwijderd en opgeladen. Om accu's aan boord op te laden, is speciale, voor scheepvaarttoepassingen ontworpen, apparatuur nodig.

- *Dit apparaat kan worden gebruikt door kinderen vanaf 8 jaar oud en personen met verminderde lichamelijke, zintuigelijke of verstandelijke mogelijkheden of zonder ervaring en kennis, mits er sprake is van toezicht of instructies over het veilige gebruik van het apparaat en mits ze de mogelijke gevaren van het gebruik ervan hebben begrepen.*
- Laat kinderen niet met het apparaat spelen. Laat kinderen het apparaat niet zonder toezicht reinigen en onderhouden.
- Het netsnoer kan niet worden vervangen. Het apparaat moet worden weggegooid als het netsnoer is beschadigd.
- Controleer de oplader regelmatig op beschadigingen. Kijk daarbij vooral naar het snoer, de stekker en de behuizing. Gebruik beschadigde opladers niet voor ze volledig zijn gerepareerd.

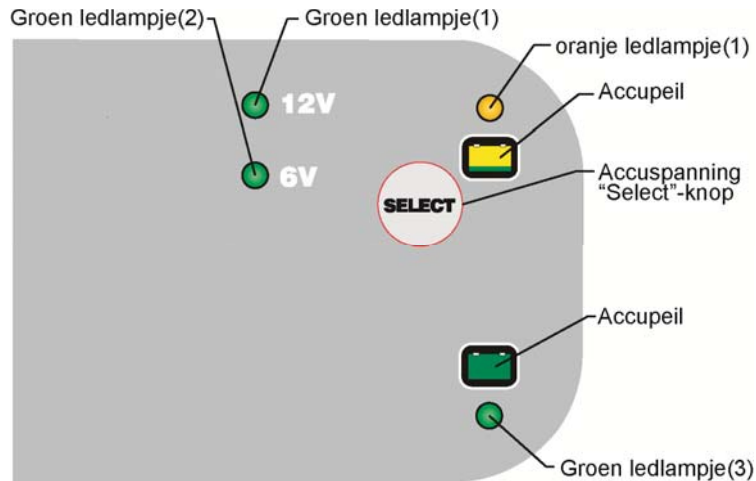
Dit symbool geeft aan dat elektrische en elektronische apparatuur gescheiden moet worden ingezameld.



GEBRUIKSAANWIJZINGEN

AUTOMATISCH OPLADEN EN DE ACCUSTATUS CONTROLEREN:

Battery Tender®-opladers werken volautomatisch en kunnen aangesloten blijven op zowel de wisselstroomvoeding als de accu, ook wanneer deze langdurig moet worden opgeladen. Het uitgangsvermogen, de spanning en de stroom van de lader hangen af van de toestand van de op te laden accu. Battery Tender®-opladers hebben verschillende controlelampjes. Deze lampjes tonen in één oogopslag in welke modus de oplader actief is en wat de status van de aangesloten oplader is.



Wanneer u voor het eerst de wisselspanning voor de oplader inschakelt, gaan alle ledlampjes twee of drie seconden branden. Daarna start de hieronder beschreven oplaadcyclus.

U kunt aan de twee controlelampjes voor het accupeil (het oranje ledlampje en het groene ledlampje) zien of de oplader actief is in één van de vier primaire oplaadmodi:

- 1) **Kwalificatie-/initialisatiemodus:** het monitorcircuit controleert de accuspanning en kijkt of er goede continuïteit is tussen de accu en de gelijkstroomuitgang van de oplader.
- 2) **Bulkmodus** (volledig opladen, constante stroom, de accu is 0% tot 80% opgeladen).
- 3) **Absorptiemodus** (hoge constante stroom, de accu is 80% tot 100% opgeladen).
- 4) **Opslag-/druppelmodus** (lage constante stroom, de accu is 100% tot 103% opgeladen).

Als de accu volledig is opgeladen, zal het ledlampje van de accustatus groen gaan branden. De oplader schakelt vervolgens over naar de opslag-/druppelmodus. De Battery Tender®-oplader controleert automatisch de accu en zorgt dat deze volledig opgeladen blijft.

"SELECT"-KNOP VOOR DE ACCUSPANNING

De Battery Tender®-oplader is uitgerust met een "SELECT"-knop. Met deze knop kunt u selecteren of u een 6 v- of 12 v-accu oplaadt.

U kunt de accuspanning selecteren zodra de oplader is aangesloten op het stroomnet en vóór de accu wordt aangesloten.

U kunt de accuspanning niet meer wijzigen nadat de oplader is aangesloten op het stroomnet en nadat de accu is aangesloten. Wanneer u de accuspanning toch wilt wijzigen, moet u de accu eerst ontkoppelen.

Na een stroomstoring zal de oplader de accu opladen overeenkomstig de laatst gekozen spanningsinstelling.

De oplader kan zelf controleren of u de juiste accuspanning hebt geselecteerd. Eén van de groene ledlampjes (ledlampje 1 of 2) naast de tekst "12V" of "6V" op de oplader gaat knipperen en voorkomt dat de oplaadcyclus kan starten. Reset de oplader door hem 7 tot 10 seconden los te koppelen van het stroomnet en door de verkeerde of defecte accu los te maken. Sluit de oplader vervolgens weer aan op het stroomnet. U kunt de accu nu opnieuw opladen.

LET OP: de Battery Tender®-OPLADER HEEFT EEN VONKVRIJ SCHAKELCIRCUIT. De uitgaande krokodillenklemmen of contactringen zullen niet vonken als zij elkaar raken. De Battery Tender®-lader zal geen uitgangsspanning genereren tot hij ten minste 3 volt van de accu krijgt. De lader moet met de juiste polariteit op een accu worden aangesloten voordat een accu kan worden opgeladen. Er ontstaat dus geen elektrische vonk wanneer u het netsnoer in een stopcontact stopt en de uitgaande krokodillenklemmen of contactringen tegen elkaar houdt terwijl ze niet op een accu zijn aangesloten.

NB:

DE UITGANGSKLEMMEN OF CONTACTRINGEN MOETEN OP EEN ACCU WORDEN AANGESLOTEN VOORDAT DE LADER EEN UITGANGSSPANNING KAN GENEREREN.

ACCUOPLAADTIJD:

De Battery Tender® laadt accu's op met een snelheid van 1.25 ampère of 1¼ ampère-uur. Een volledig ontladen accu van 15 ampère-uur heeft dus circa 9½ uur nodig om tot 80% van zijn capaciteit te worden opgeladen.

WERKEN MET EEN LEGE ACCU OF EEN ACCU MET EEN ZEER LAGE SPANNING:

De Battery Tender®-oplader zal niet worden ingeschakeld wanneer u een lege accu met een spanning van minder dan 3 volt probeert op te laden. Het interne veiligheidscircuit voorkomt dat de oplader spanning genereert tenzij er een spanning van minimaal 3 volt wordt gemeten. Wanneer de lege accu niet kan worden opgeladen, zal het oranje ledlampje blijven knipperen.

NB:

wanneer een loodzuuraccu van 12 volt een uitgangsspanning van minder dan 9 volt heeft in ruststand en niet wordt opgeladen en geen stroom levert aan een externe verbruiker, dan is het aannemelijk dat de accu defect is. Ter referentie: een volledig opgeladen loodzuuraccu van 12 volt heeft een rusttoestand/nulllastspanning van circa 12,9 volt. Een volledig ontladen loodzuuraccu van 12 volt heeft een rusttoestand/nulllastspanning van circa 11,4 volt. Dit betekent dat een spanningsverschil van slechts 1,5 volt het gehele oplaadbereik van 0% tot 100% dekt bij 12 volt loodaccu's. Afhankelijk van de fabrikant en de leeftijd van de accu, zullen de specifieke voltwaarden met enkele tienden variëren. Het bereik van 1,5 volt is desondanks een goede indicator voor de mate waarin de accu is opgeladen.

CONTROLELAMPJE VOOR DE OPLAADSTATUS: als dit lampje niet brandt, dan is de accu niet goed aangesloten en/of ontvangt de lader geen stroom van het lichtnet. Het lampje werkt als volgt:

- < **HET ORANJE LAMPJE KNIPPERT** (oranje ledlampje 1) – Wanneer het lampje ORANJE knippert, is de acculader op netvoeding aangesloten en werkt de microprocessor naar behoren. Blijft het ORANJE lampje langdurig knipperen, dan is de accuspanning te laag (minder dan 3 volt) of zijn de uitgaande krokodillenklemmen of contactringen niet goed aangesloten.
- < **HET ORANJE LAMPJE BRANDT CONTINU** (oranje ledlampje 1) – Als het ORANJE lampje continu brandt, is een accu op de juiste wijze aangesloten en laadt de oplader de accu op. Het oranje lampje blijft branden tot de accu helemaal is opgeladen.
- < **HET GROENE LAMPJE KNIPPERT** (groen ledlampje 3) – Als het groene lampje knippert en het oranje ledlampje (1) brandt, is de accu voor meer dan 80% opgeladen en kan hij van de lader worden losgemaakt en worden gebruikt. Indien mogelijk moet worden doorgedaan met het opladen van de accu tot het groene lampje continu brandt.
- < **HET GROENE LAMPJE BRANDT CONTINUE** (groen ledlampje 3) – Als het groene lampje continu brandt, is het opladen voltooid en kan de accu eventueel weer in gebruik worden genomen. De lader kan ook aangesloten blijven om het laadniveau van de accu langdurig op peil te houden.

PROBLEMEN OPLOSSEN

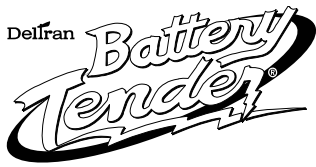
- 1) De oplader kan niet worden ingeschakeld en de ledlampjes branden niet.
 - a. Controleer of het stopcontact goed werkt door een lamp, een elektrisch apparaat of een spanningsmeter aan te sluiten.
- 2) Het groene ledlampje (3) gaat direct branden wanneer u een lege accu aansluit.
 - a. De accu kan defect zijn. Laat de accu door de dealer testen.
- 3) Het groene ledlampje gaat niet branden wanneer u de accu oplaadt.
 - a. De accu kan defect zijn. Laat de accu door de dealer testen.
 - b. De accu trekt teveel stroom. Verwijder de accu uit de oplader.
- 4) Het oranje ledlampje blijft knipperen, ook als de accu is aangesloten:
 - a. Controleer de zekering in de hulpkabel.
- 5) Het groene ledlampje bij "12V" knippert.
 - a. De accu is beschadigd of u hebt de verkeerde accuspanning geselecteerd.
- 6) Het groene ledlampje bij "6V" knippert.
 - a. De accu is beschadigd of u hebt de verkeerde accuspanning geselecteerd.
- 7) De groene en oranje ledlampjes branden om de beurt.
 - a. U hebt de accupolen verkeerd aangesloten.
 - b. De veiligheidstimer van de oplader is geactiveerd omdat de optimale accuspanning niet wordt bereikt. De accu kan defect zijn. Laat de accu door de dealer testen.

FCC-waarschuwing

Hoofdstuk 47, subonderdeel 15.105(b)

NB: Deze apparatuur is getest op grond van Deel 15 van de FCC-regels. Daaruit is gebleken dat het voldoet aan de beperkingen voor digitale apparaten van Klasse B. Deze beperkingen zijn opgesteld om redelijke bescherming tegen schadelijke storing in huisinstallaties te bieden. De apparatuur genereert en gebruikt radiofrequentie-energie en kan deze energie uitstralen. Wanneer de apparatuur niet overeenkomstig de instructies geïnstalleerd en gebruikt wordt, kan het schadelijke storing aan radiocommunicatie teweegbrengen. U kunt dit vaststellen door de apparatuur in en uit te schakelen. We raden u aan om de storing middels een of meer van de volgende maatregelen op te lossen wanneer de apparatuur schadelijke storing voor de ontvangst van radio- of televisie-uitzendingen veroorzaakt:

- Stel de ontvangstantenne opnieuw af of verplaats hem;
- Vergroot de afstand tussen de apparatuur en de ontvanger;
- Sluit de apparatuur aan op een stopcontact of circuit waarop de ontvanger niet is aangesloten;
Raadpleeg de dealer of een ervaren radio-/tv-technicus voor hulp.



Deltran Battery Tender® Selectable
 Diseñado para seis baterías de plomo ácido de 1,2 a 200 Ah
 y tres baterías de plomo ácido de 1,2 a 200 Ah

INSTRUCCIONES DE SEGURIDAD IMPORTANTES

- 1) CONSERVE ESTAS INSTRUCCIONES – Este manual contiene importantes instrucciones de seguridad y de manejo para el cargador de baterías modelo P/N 022-0211.
- 2) No exponga el cargador a la lluvia ni a la nieve.
- 3) El uso de accesorios que no hayan sido recomendados o vendidos por el fabricante del cargador de baterías puede ocasionar riesgo de incendio, descarga eléctrica o daños personales.
- 4) Para reducir el riesgo de dañar los enchufes y el cable al desconectar el cargador, se recomienda tirar del enchufe y no del cable.
- 5) No se debe utilizar un cable alargador si no es absolutamente necesario. El uso de un alargador inadecuado puede ocasionar riesgo de incendio o descarga eléctrica. Si precisa usar un alargador, asegúrese de que:
 - a) El enchufe del cable alargador tiene el mismo número de pines, son del mismo tamaño y de la misma forma que el del enchufe del cargador.
 - b) Ese alargador tiene los hilos adecuados y está en buenas condiciones de uso; y que
 - c) Los hilos son de suficiente grosor para el amperaje del cargador según especificado en la tabla 1.

TABLA 1

Longitud del cable, metros	7,5	15	30,5	46
Diámetro del cable, AWG	18	18	18	16

- 6) No maneje el cargador con un cable o una clavija estropeados, sustitúyalos inmediatamente.
- 7) No maneje el cargador si ha recibido un golpe punzante, se ha caído o se ha dañado de alguna manera; llévelo a un técnico cualificado.
- 8) No desmonte el cargador; llévelo a un técnico cualificado cuando se necesite cualquier servicio o reparación. Un nuevo montaje inadecuado puede ocasionar descarga eléctrica o incendio.
- 9) Para reducir el riesgo de descarga eléctrica, desenchufe el cargador antes de cualquier operación de mantenimiento o limpieza. Apagar los interruptores no reduce este riesgo.
- 10) **CUIDADO – RIESGO DE EXPLOSIÓN DE GASES.**
 - a) ES PELIGROSO TRABAJAR CERCA DE UNA BATERÍA DE PLOMO ÁCIDO. LAS BATERÍAS GENERAN GASES EXPLOSIVOS DURANTE SU NORMAL FUNCIONAMIENTO. POR ESTE MOTIVO ES DE SUMA IMPORTANCIA QUE SIGA LAS INSTRUCCIONES CADA VEZ QUE UTILICE ESTE CARGADOR.
 - b) Para reducir el riesgo de explosión de las baterías, siga estas instrucciones y las de su fabricante o de cualquier otro equipo que vaya a utilizar cerca de la batería. Revise las indicaciones de advertencia que lleven estos productos o el propio motor.
- 11) **PRECAUCIONES PERSONALES**
 - a) Intente tener a alguien cerca que pueda acudir en su ayuda cuando esté trabajando con una batería de plomo ácido.
 - b) Tenga cerca abundante agua fresca y jabón para el caso en que los ácidos de la batería entren en contacto con la piel, la ropa o los ojos.
 - c) Protéjase los ojos y la ropa. Evite tocarse los ojos mientras esté trabajando cerca de la batería.

- d) Si el ácido de la batería entra en contacto con la piel o la ropa, límpielos inmediatamente con agua y jabón. Si el ácido entra en los ojos, eche abundante agua corriente sobre los mismos, al menos durante diez minutos y acuda inmediatamente al médico.
- e) NUNCA fume ni deje que haya chispas o llamas cerca de la batería o del motor.
- f) Tenga mayor cuidado del habitual para no dejar caer herramientas metálicas sobre la batería. Ello puede hacer que salten chispas o que se genere un corto circuito en la batería o en cualquier otro componente eléctrico y que se produzca una explosión.
- g) Quítese los objetos personales metálicos como anillos, pulseras, collares y relojes cuando esté trabajando cerca de una batería de plomo ácido. Las baterías de plomo ácido pueden producir un cortocircuito que llegue a soldar un anillo u otro elemento con el metal, causando graves quemaduras.
- h) Utilice el cargador únicamente para baterías de plomo ácido. No es adecuado para cargar un sistema eléctrico de baja potencia excepto cuando se use como motor de arranque. No utilice el cargador de baterías para cargar baterías secas normalmente de uso doméstico. Estas baterías pueden estallar y causar daños personales y materiales.
- i) NUNCA cargue una batería congelada.

12) PREPARAR LA CARGA

- a) Si es necesario, quite la batería del vehículo que quiera cargar, desconectando siempre antes el terminal a tierra de la batería. Apague todos los accesorios del vehículo para que no se pueda formar un arco eléctrico.
- b) Asegúrese de que la zona alrededor de la batería está bien ventilada mientras se carga la batería.
- c) Limpie los terminales de la batería. Tenga cuidado de que la corrosión no entre en contacto con sus ojos.
- d) Añada agua destilada a cada celda hasta que el ácido alcance el nivel indicado por el fabricante. No rellene por encima de lo indicado. En el caso de baterías de celdas con tapones extraíbles, como las baterías de plomo ácido reguladas por válvula, siga cuidadosamente las instrucciones del fabricante para recargarlas.
- e) Estudie todas las precauciones concretas que indica el fabricante de la batería, como quitar o no, el tapón de las celdas durante la carga así como los índices de carga recomendados.
- f) Busque la potencia de la batería en el manual de instrucciones del carro y asegúrese de que el interruptor selector de la potencia de salida coincide con el voltaje correcto. No use el cargador de baterías si no coincide el voltaje de la batería con la potencia de salida del cargador.

13) UBICACIÓN DEL CARGADOR

- a) Sitúe el cargador tan lejos de la batería como permitan los cables de alimentación.
- b) No sitúe nunca el cargador directamente sobre la batería mientras se está cargando; los gases de la batería corroerían y dañarían el cargador.
- c) No permita nunca que el ácido de la batería gotee sobre el cargador cuando esté leyendo la gravedad electrolítica o al rellenar la batería.
- d) No maneje el cargador en una zona cerrada o con poca ventilación.
- e) No coloque la batería sobre el cargador.

14) PRECAUCIONES CON EL CABLE DE ALIMENTACIÓN

- a) Conecte y desconecte las pinzas de salida solo después de poner en posición "off" todos los interruptores del cargador y de haber desenchufado el cable de salida. Nunca deje que las pinzas entren en contacto entre ellas.
- b) Conecte las pinzas a la batería y al chasis como se indica en 15(e), 15(f), 16(b) y 16(d).

15) SIGA ESTOS PASOS CUANDO SE INSTALE LA BATERÍA EN EL VEHÍCULO. UNA CHISPA CERCA DE LA BATERÍA PUEDE HACER QUE EXPLOTE. PARA REDUCIR EL RIESGO DE CHISPAS CERCA DE LA BATERÍA:

- a) Para reducir el riesgo de daños, coloque los cables de CC y CA sobre el capó, puerta o cualquier otra pieza del vehículo.
- b) Apártese de las palas del ventilador, correas, poleas o cualquier otra pieza que pueda causar daños personales.

- c) Compruebe la polaridad de los bornes de la batería. Los bornes POSITIVOS (POS, P, +) de la batería normalmente tienen un diámetro mayor que los NEGATIVOS, (NEG, N, -).
- d) Determine qué borne de la batería está conectado al chasis. Si el borne negativo es el que está conectado al chasis (como en la mayor parte de los vehículos), vaya a (e). Si el borne positivo es el que está conectado al chasis, vaya a (f).
- e) Si es un vehículo con conexión negativa, conecte la pinza POSITIVA (ROJA) del cargador de baterías al borne no conectado POSITIVO (POS, P, +) de la batería. Conecte la pinza NEGATIVA (NEGRA) al chasis del vehículo o al bloque del motor, lejos de la batería. No conecte la pinza al carburador, tubos de gasolina o piezas de chapa metálica de la carrocería. Conéctela a una pieza metálica del bastidor de sección ancha o al bloque del motor.
- f) Si es un vehículo con conexión positiva, conecte la pinza NEGATIVA (NEGRA) del cargador de baterías al borne no conectado NEGATIVO (NEG, N, +) de la batería. Conecte la pinza POSITIVA (ROJA) al chasis del vehículo o bloque de motor lejos de la batería. No conecte la pinza al carburador, tubos de gasolina o piezas de chapa metálica de la carrocería. Conéctela a una pieza metálica del bastidor de sección ancha o al bloque del motor.
- g) Cuando desconecte el cargador, apague los interruptores, desconecte el cable de alimentación CA y quite la pinza del chasis del vehículo; luego quite la pinza del terminal de la batería.
- h) Vea las instrucciones de funcionamiento para más información sobre la duración de la carga.

16) SIGA ESTOS PASOS CUANDO LA BATERÍA ESTÉ FUERA DEL VEHÍCULO. UNA CHISPA CERCA DE LA BATERÍA PUEDE CAUSAR SU EXPLOSIÓN. PARA REDUCIR EL RIESGO DE CHISPAS CERCA DE LA BATERÍA:

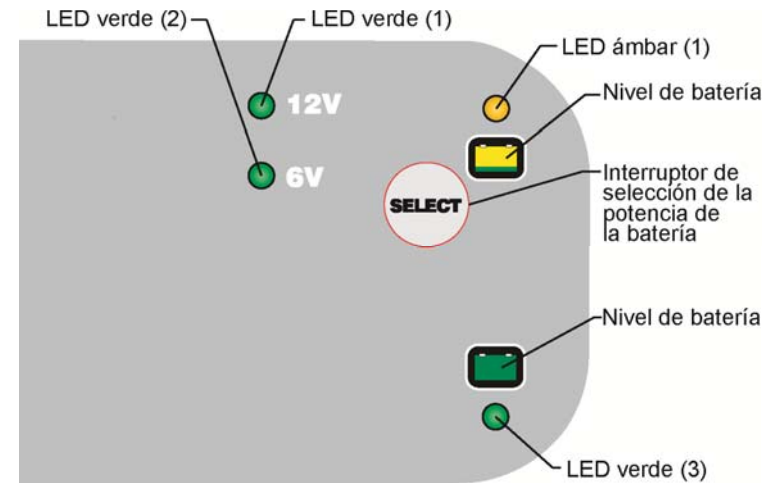
- a) Compruebe la polaridad de los bornes de la batería. Los bornes POSITIVOS (POS, P, +) de la batería normalmente tienen un diámetro mayor que los NEGATIVOS, (NEG, N, -).
 - b) Conecte un cable aislado de al menos 60 cms de largo y de calibre 6 AWG al terminal de la batería.
 - c) Conecte la pinza del cargador POSITIVA (ROJA) al borne POSITIVO (POS, P, +) de la batería.
 - d) Colóquese tan lejos como sea posible de la batería y haga lo mismo con el extremo libre del cable; conecte la pinza del cargador NEGATIVA (NEGRA) al extremo libre del cable.
 - e) No esté de cara a la batería cuando realice la conexión final.
 - f) Cuando desconecte el cargador, hágalo siempre de forma inversa a la secuencia de conexión e interrumpa la primera conexión manteniéndose tan lejos como pueda de la batería.
 - g) Las baterías marinas, de barcos, deben sacarse y cargarse en tierra. Para cargarlas a bordo se requiere un equipo especialmente diseñado para el marino.
- *Este aparato lo pueden utilizar niños desde ocho años en adelante y personas con minusvalía física o mental, con falta de experiencia o conocimiento si han sido supervisados o han recibido instrucciones sobre el uso del aparato de forma segura y si entienden el riesgo que conlleva.*
 - Los niños no deben jugar con este aparato. Los niños no deben realizar labores de limpieza o mantenimiento sin supervisión.
 - No se puede reemplazar el cable de suministro. Si el cable está estropeado, se debe desechar el aparato.
 - Compruebe regularmente que el cargador de baterías no tiene daños, sobre todo el cable, el enchufe y carcasa; no se puede volver a utilizar hasta que no se haya reparado.



Este símbolo indica que se deben recoger de forma separada el equipo eléctrico y el electrónico.

INSTRUCCIONES DE USO

MONITOREO DE LA CARGA AUTOMÁTICA Y DEL ESTADO DE LAS BATERÍAS: Los cargadores Battery Tender® son totalmente automáticos y se pueden dejar conectados tanto a la red de alimentación de CA como a la batería que se está cargando durante mucho tiempo. Tanto la potencia de salida como el voltaje y la corriente del cargador dependen de las condiciones de la batería que se está cargando. Los cargadores Battery Tender® tienen varios LED luminosos de estado que permiten determinar el modo operativo del cargador y el estado de la batería conectada al cargador.



Cuando se conecta por primera vez la corriente alterna CA al cargador, todos los LEDs luminosos se encienden durante dos o tres segundos antes de iniciar la secuencia abajo descrita.

Los dos LEDs luminosos del nivel de la batería (LED ámbar 1 y LED verde, 3) señalan si el cargador está operando en uno de los cuatro estados de carga:

- 1) **Modo habilitación/inicialización:** El circuito del monitor verifica los niveles de potencia apropiados para la batería y la continuidad eléctrica entre la batería y la salida de CC del cargador.
- 2) **Modo carga** (carga completa, corriente constante, la batería está cargada entre el 0 % y el 80 %).
- 3) **Modo absorción** (tensión alta constante, la batería está cargada entre el 80 % y el 100 %).
- 4) **Modo almacenamiento/mantenimiento** (baja tensión constante, la batería está cargada entre el 100 % y el 103 %).

Cuando la batería está totalmente cargada, el LED (3) verde que indica el nivel de la batería se pondrá verde y el cargador cambiará al modo de almacenamiento/mantenimiento. El cargador Battery Tender® monitoreará y mantendrá automáticamente la carga completa la batería.

INTERRUPTOR DE SELECCIÓN DE POTENCIA DE LA BATERÍA

El cargador Battery Tender® tiene un interruptor "SELECT" que permite cambiar entre cargar una batería de 6 o de 12 voltios.

Se puede seleccionar la potencia de la batería una vez que se ha conectado el cargador a la alimentación de CA y antes de conectarlo a la batería.

Cuando el cargador ya está conectado a la alimentación de CA y también a la potencia de la batería (12 o 6V), no se puede modificar la selección. Para cambiar el modo, desconecte la batería del cargador.

Si la alimentación de CA se interrumpe, el cargador seguirá cargando con el último ajuste de potencia de batería utilizado.

Una vez realizada la conexión a la misma, el cargador también puede detectar si se ha seleccionado una potencia de batería equivocada. Uno de los LEDs verdes (el 1 o el 2) situados junto al símbolo de 12 V o de 6 V, parpadeará impidiendo que empiece el ciclo de carga. Para comenzar un nuevo ciclo de carga, resetear el cargador desconectándolo de la alimentación de corriente. Hacer lo mismo, durante 7 o diez segundos, con la batería inadecuada o defectuosa. Volver a conectar el suministro de corriente y el cargador estará listo para un nuevo ciclo de carga.

ATENCIÓN: EL CARGADOR The Battery Tender® TIENE UN CIRCUITO ANTI CHISPAS No saltarán chispas cuando las pinzas caimán de salida o los terminales de anillo se toquen. El cargador The Battery Tender® **no producirá potencia de salida hasta que detecte al menos 3 voltios en la batería. Tiene que estar conectado a una batería con la polaridad correcta antes de empezar a cargarla. Por ello, cuando enchufe el cable de alimentación de CA a un enchufe de alimentación de CA, y las pinzas caimán de salida o los terminales de anillo no estén conectados a la batería y las pinzas caimán o los terminales de anillo se toquen, no saltarán chispas.**

NOTA:

LAS PINZAS DE SALIDA O LOS TERMINALES DE ANILLO DEBEN ESTAR CONECTADOS A LA BATERÍA ANTES DE QUE EL CARGADOR PUEDA PRODUCIR VOLTAJE DE SALIDA

TIEMPO NECESARIO PARA CARGAR UNA BATERÍA:

The Battery Tender® se carga a una velocidad de 1.25 A o 1¼ A-h por hora. Por ello, una batería totalmente descargada de 15 A-h tardará unas 9½ horas hasta recargarse al 80 % de su capacidad.

TRABAJAR CON UNA BATERÍA MUERTA O UNA BATERÍA DE VOLTAJE MUY BAJO:

Si intenta cargar una batería descargada teniendo un voltaje inferior a 3 voltios, el cargador Battery Tender® no empezará a funcionar. Un circuito interno de seguridad impide que el cargador genere potencia de salida a no ser que detecte al menos 3 voltios en la salida del cargador. En esta situación, el LED ámbar seguirá parpadeando, indicando que no se ha empezado a cargar.

NOTA:

Si una batería de plomo ácido de 12 voltios tiene una potencia de salida de 9 voltios cuando está en descanso, cuando no está en carga ni suministrando corriente eléctrica a una carga externa, hay una alta probabilidad de que esté defectuosa. Como marco de referencia, una batería de plomo ácido de 12 voltios totalmente cargada, tendrá una potencia de descanso aproximadamente de 12,9 voltios. Una batería de plomo ácido de 12 voltios tendrá una potencia en descanso y sin carga de unos 11,4 voltios. Esto significa, en una batería de plomo ácido, que un cambio de potencia de tan solo 1,5 voltios representa una gama completa de valores del 0 al 100 %. Dependiendo del fabricante, y de la edad de la batería, las potencias específicas variarán por unas pocas décimas, pero la gama de 1,5 voltios sigue siendo un buen indicador del porcentaje de carga de la batería.

LUZ INDICADORA DE ESTADO Si la luz no está encendida, la batería no está correctamente conectada y/o el cargador no está enchufado a la alimentación de CA. A continuación se describe la operación de encendido:

- < **LA LUZ ÁMBAR PARPADEA (LED Ámbar 1)** – Cuando el LED ámbar parpadea, está indicando que el cargador de baterías dispone de corriente y que el microprocesador está funcionando adecuadamente. Cuando el LED ámbar sigue parpadeando, está indicando que la potencia de la batería es demasiado baja (menos de 3 voltios) o que las pinzas caimán de salida no están conectadas adecuadamente.
- < **EL LED ÁMBAR ESTÁ ENCENDIDO DE FORMA PERMANENTE (LED ÁMBAR 1)** – Cuando el LED ámbar está encendido de forma permanente, indica que la batería está conectada de forma adecuada y que el cargador está cargando. El LED ámbar permanecerá encendido hasta que el cargador complete la fase de carga.
- < **LA LUZ VERDE PARPADEA (LED VERDE 3)** – Cuando el LED verde parpadea y el LED ámbar (LED ámbar 1) está fijo, la batería está cargada a más del 80 % y se puede desconectar del cargador y utilizarla si fuera necesario. Cuando sea posible, deje la batería cargando hasta que la luz verde esté fija.
- < **LA LUZ VERDE ESTÁ ENCENDIDA DE FORMA PERMANENTE (LED VERDE 3)** – Cuando la luz verde está fija, indica que se ha completado la carga y que la batería puede volver a dar servicio si es necesario. También puede permanecer conectada para mantener a la batería, durante un periodo de tiempo ilimitado.

RESOLUCIÓN DE PROBLEMAS

- 1) Si el cargador no se enciende y ninguno de los LEDS ilumina.
 - a. Compruebe que hay suministro de corriente enchufando una lámpara, un aparato o un medidor de corriente.
- 2) El LED verde (3) se enciende inmediatamente al cargar una batería.
 - a. Probablemente la batería esté defectuosa, lleve la batería al distribuidor para que la compruebe.
- 3) Cuando no se enciende nunca el LED verde al cargar una batería.
 - a. La batería puede que esté defectuosa, llévela al distribuidor para que la compruebe.
 - b. La batería consume excesiva corriente, quítela o desconéctela del equipo.
- 4) El LED ámbar sigue parpadeando incluso cuando hay conexión con la batería.
 - a. Compruebe el fusible en el cable accesorio.
- 5) El LED verde de 12V está parpadeando.
 - a. La batería está estropeada o se ha seleccionado una potencia inadecuada.
- 6) El LED verde de 6V está parpadeando.
 - a. La batería está estropeada o se ha seleccionado una potencia inadecuada.
- 7) Los LED ámbar y verde se iluminan alternativamente.
 - a. Invierta la polaridad en la conexión a la batería.
 - b. Se ha activado el temporizador de seguridad del cargador debido a que la batería no alcanza el voltaje óptimo. La batería puede que esté defectuosa, llévela al distribuidor para que la compruebe.

Advertencia FCC

Capítulo 47, apartado 15.105(b)

Nota: Se ha comprobado el equipo y su cumplimiento de los límites establecidos para los aparatos de clase B conforme a la sección 15 de las normas FCC. Estos límites están establecidos para ofrecer una protección adecuada contra cualquier interferencia perjudicial en las instalaciones residenciales. El equipo genera, utiliza y puede irradiar energía de radio frecuencia y si no se instala y usa de acuerdo con las instrucciones, puede causar interferencias en la recepción de la señal de televisión, que se pueden resolver encendiendo y apagando el equipo. El usuario puede tratar de corregir estas interferencias mediante una o varias de las siguientes medidas:

- Vuelva a orientar o a colocar la antena de recepción.
 - Aumente la separación entre el equipo y el receptor.
 - Conecte el equipo a un enchufe en un circuito diferente del que esté conectado el receptor de televisión.
- Consulte y pida ayuda al distribuidor o a un técnico experto en radio o televisión.